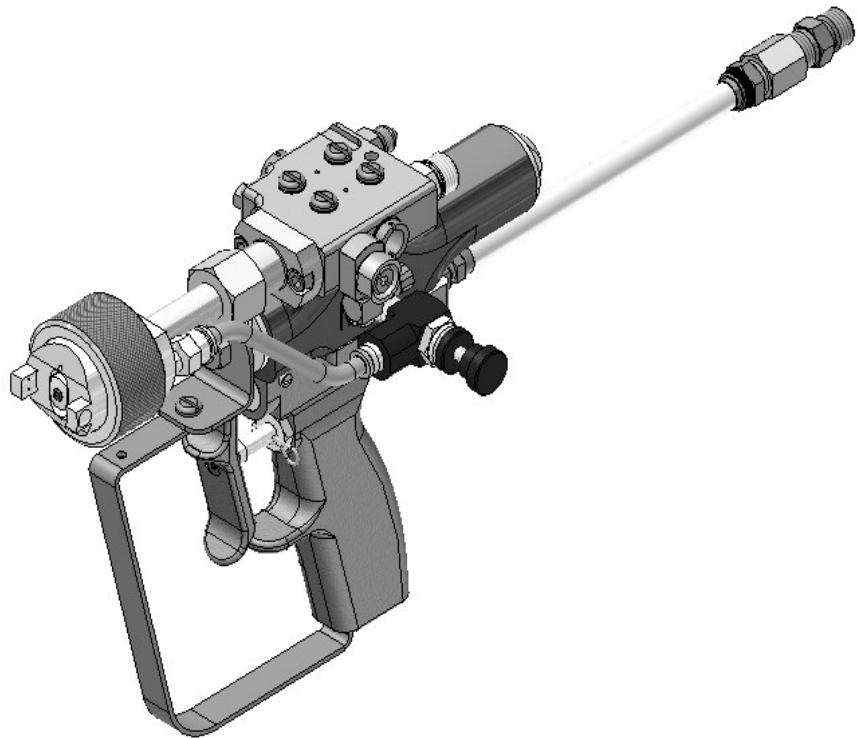


# Classic Pro Gun

## Manual

This manual is applicable to the following models:

- CPG-1000-W
- CPG-1000-X
- CPG-1000-X-INT
- CPG-2000-X
- CPG-2000-X-INT
- CPC-1000-X
- CPC-1000-X-INT
- CPC-2000-X
- CPC-2000-X-INT
- CPP-3000
- CPP-6000
- CPW-1000-X
- CPW-1000-X-INT
- CPW-1000-SBC
- CPW-2000-X
- CPW-2000-X-INT
- CPW-4000
- 58320-1
- 5102-01-0X



Rev. February 2019



**Magnum Industries Europe Ltd. t/a Magnum Venus Products**

*Official Distributor of MVP Range in the United Kingdom and Ireland*

Unit 22a, Navigation Drive, Hurst Business Park,  
Brierley Hill, West Midlands, DY5 1UT, UK.

**phone:** +44 (0)1384 486222  
**email:** [info@mvpeurope.co.uk](mailto:info@mvpeurope.co.uk)  
**website:** [www.mvpeurope.co.uk](http://www.mvpeurope.co.uk)



# Table of Contents

<b>Section</b>	<b>Page</b>
• <b>Table of Contents</b>	<b>3</b>
• <b>Safety &amp; Warning Information</b>	<b>4</b>
• <b>Introduction</b>	<b>15</b>
• <b>Getting Started</b>	<b>16</b>
• <b>Disconnecting from the Unit</b>	<b>17</b>
• <b>Disassembling the Gun</b>	<b>18</b>
• <b>Reassembling Gun Block</b>	<b>22</b>
• <b>Rebuilding Actuator</b>	<b>26</b>
• <b>Rebuilding Gun Handle</b>	<b>27</b>
• <b>Reassembling Gun</b>	<b>30</b>
• <b>Parts Information</b>	<b>31</b>

# Safety & Warning Information

## Warnings

Due to the vast number of chemicals that could be used and their varying chemical reactions, the buyer and user of this equipment should determine all factors relating to the fluids used, including any of the potential hazards involved. Particular inquiry and investigation should be made into potential dangers relating to toxic fumes, fires, explosions, reaction times, and exposure of human beings to the individual components or their resultant mixtures. MVP assumes no responsibility for loss, damage, expense or claims for bodily injury or property damage, direct or consequential, arising from the use of such chemical components.

The end user is responsible for ensuring that the end product or system complies with all the relevant laws in the country where it is to be used and that all documentation is adhered to.

### Recommended Occupational Safety & Health Act (OSHA) Documentation:

- 1910.94                      Pertaining to ventilation
- 1910.106                    Pertaining to flammable liquids
- 1910.107                    Pertaining to spray finishing operations, particularly paragraph (m), Organic Peroxides and Dual Component Coatings

For Additional information, contact the Occupational Safety and Health Administration (OSHA) at <https://www.osha.gov/about.html>.

### Recommended National Fire Protection Association (NFPA) Documentation:

- NFPA No.33 Chapter 14                      Organic Peroxides and Dual Component Materials
- NFPA No. 63                                    Dust Explosion Prevention
- NFPA No. 70                                    National Electrical Code
- NFPA No. 77                                    Static Electricity
- NFPA No. 91                                    Blower and Exhaust System
- NFPA No. 654                                    Plastics Industry Dust Hazards

**Fire Extinguisher** – code ABC, rating number 4a60bc using Extinguishing Media –Foam, Carbon Dioxide, Dry Chemical, Water Fog, is recommended for this product and applications.

The following general warnings and guidelines are for the setup, use, grounding, maintenance, and repair of equipment. Additional product-specific warnings may be found throughout this manual as applicable. Please contact your nearest MVP Technical Service Representative if additional information is needed.

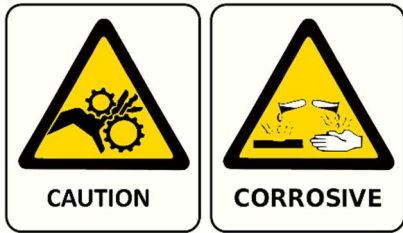
**Safety Precautions**

- Avoid skin contact and inhalation of all chemicals.
- Review Material Safety Data Sheet (MSDS) to promote the safe handling of chemicals in use.
- Restrict the use of all chemicals to designated areas with good ventilation.
- Chemicals are flammable and reactive.
- Noxious fumes released when combusted.
- Operate equipment in a ventilated environment only.
- Uncured liquid resins are highly flammable unless specifically labeled otherwise.
- Cured laminate, accumulations of overspray, and laminate sandings are highly combustible.
- Do not operate or move electrical equipment when flammable fumes are present.
- Ground all equipment.
- If a spark is seen or felt, immediately halt operation. Do not operate the equipment until the issue has been identified and repaired.
- Contaminated catalyst may cause fire or explosion.
- Containers may explode if exposed to fire / heat.
- Use and store chemicals away from heat, flames, and sparks.
- Do not smoke in work areas or near stored chemicals.
- Do not mix Methyl Ethyl Ketone Peroxide (MEKP) with materials other than polyethylene.
- Do not dilute MEKP.
- Keep food and drink away from work area.



**Physical Hazards**

- Never look directly into the spray gun fluid tip. Serious injury or death can result.
- Never aim the spray gun at or near another person. Serious injury or death can result.
- Chemical compounds can be severely irritating to the eyes and skin.
- Inhalation, ingestion, or injection may damage internal organs and lead to pulmonary disorders, cancers, lymphomas, and other diseases or health conditions.
- Other potential health effects include: irritation of the eyes and upper respiratory tract, headache, light-headedness, dizziness, confusion, drowsiness, nausea, vomiting, and occasionally abdominal pain.
- Eye contact: Immediately flush with water for at least 15 minutes and seek immediate medical attention.
- Skin Contact: Immediately wash with soap and water and seek immediate medical attention.
- Inhalation: Move the person to fresh air and seek immediate medical attention.
- Do not remove shields, covers, or safety features on equipment that is in use.
- Never place fingers, hands, or any body part near or directly in front of the spray gun fluid tip. The force of the liquid as it exits the spray tip can shoot liquid through the skin.
- Keep hands and body parts away from any moving equipment or components.
- Do not stand under plunger
- An improperly loaded drum may lead to an imbalance, causing a unit to tip over



**Personal Protective Equipment (PPE)**

- MVP recommends the use of personal safety equipment with all products in our catalog.
- Wear safety goggles, hearing protection, a respirator, and chemical resistant gloves.
- Wear long sleeve shirts or jackets and pants to minimize skin exposure.
- PPE should be worn by operators and service technicians to reduce the risk of injury.



For Additional information, contact the Occupational Safety and Health Administration (OSHA). <https://www.osha.gov/about.html>

## Symbol Definitions



Indicates the risk of contact with chemicals that are hazardous, which may lead to injury or death.



Indicates the risk of contact with voltage / amperage that may lead to serious injury or death.



Indicates that the materials being used are susceptible to combustion.



Indicates the risk of contact with moving components that may lead to serious injury or death.



Indicates that the system or component should be grounded before proceeding with use or repair.



Indicates the use of lit cigarettes or cigars is prohibited, because the materials being used are susceptible to combustion.



Indicates that the materials and/or the process being performed can lead to ignition and explosion.



A recommendation for the use of Personal Protective Equipment (PPE) before using or repairing the product.

# Polymer Matrix Materials: Advanced Composites

Potential health hazards associated with the use of advanced composites can be controlled through the implementation of an effective industrial hygiene and safety program.

[https://www.osha.gov/dts/osta/otm/otm\\_iii/otm\\_iii\\_1.html#t\\_iii:1\\_1](https://www.osha.gov/dts/osta/otm/otm_iii/otm_iii_1.html#t_iii:1_1)

<b>Resins</b>		
<b>Composite Component</b>	<b>Organ System Target (Possible Target)</b>	<b>Known (Possible) Health Effect</b>
Epoxy resins	Skin, lungs, eyes	Contact and allergic dermatitis, conjunctivitis
Polyurethane resins	Lungs, skin, eyes	Respiratory sensitization, contact dermatitis, conjunctivitis
Phenol formaldehyde	Skin, lungs, eyes	As above (potential carcinogen)
Bismaleimides (BMI)	Skin, lungs, eyes	As above (potential carcinogen)
Polyamides	Skin, lungs, eyes	As above (potential carcinogen)
<b>Reinforcing materials</b>		
<b>Composite Component</b>	<b>Organ System Target (Possible Target)</b>	<b>Known (Possible) Health Effect</b>
Aramid fibers	Skin (lungs)	Skin and respiratory irritation, contact dermatitis (chronic interstitial lung disease)
Carbon/graphite fibers	Skin (lungs)	As noted for aramid fibers
Glass fibers (continuous filament)	Skin (lungs)	As noted for aramid fibers
<b>Hardeners and curing agents</b>		
<b>Composite Component</b>	<b>Organ System Target (Possible Target)</b>	<b>Known (Possible) Health Effect</b>
Diaminodiphenylsulfone	N/A	No known effects with workplace exposure
Methylenedianiline	Liver, skin	Hepatotoxicity, suspect human carcinogen
<b>Other aromatic amines</b>		
<b>Composite Component</b>	<b>Organ System Target (Possible Target)</b>	<b>Known (Possible) Health Effect</b>
Meta-phenylenediamine (MPDA)	Liver, skin (kidney, bladder)	Hepatitis, contact dermatitis (kidney and bladder cancer)
Aliphatic and cyclo-aliphatic amines	Eyes, skin	Severe irritation, contact dermatitis
Polyaminoamide	Eyes, skin	Irritation (sensitization)
Anhydride	Eyes, lungs, skin	Severe eye and skin irritation, respiratory sensitization, contact dermatitis

## Catalyst - Methyl Ethyl Ketone Peroxide (MEKP)

MEKP is among the more hazardous materials found in commercial channels. The safe handling of the “unstable (reactive)” chemicals presents a definite challenge to the plastics industry. The highly reactive property which makes MEKP valuable to the plastics industry in producing the curing reaction of polyester resins also produces the hazards which require great care and caution in its storage, transportation, handling, processing and disposal. MEKP is a single chemical. Various polymeric forms may exist which are more or less hazardous with respect to each other. These differences may arise not only from different molecular structures (all are, nevertheless, called “MEKP”) and from possible trace impurities left from the manufacture of the chemicals, but may also arise by contamination of MEKP with other materials in its storage or use. Even a small amount of contamination with acetone, for instance, may produce an extremely shock-sensitive and explosive compound.



### **WARNING**

***Contamination with promoters, materials containing promoters (such as laminate sandings), or with any readily oxidizing material (such as brass or iron) will cause exothermic redox reactions which can be explosive in nature. Heat applied to MEKP or heat buildup from contamination reactions can cause the material to reach its Self-Accelerating Decomposition Temperature (SADT).***

Researchers have reported measuring pressure rates-of-rise well over 100,000 psi per second when certain MEKP's reach their SADT. For comparison, the highest-pressure rate-of-rise listed in NFPA Bulletin NO.68, “Explosion Venting”, is 12,000 psi per second for an explosion of 12% acetylene and air. The maximum value listed for a hydrogen explosion is 10,000 psi per second. Some forms of MEKP, if allowed to reach their SADT, will burst even an open topped container. This suggests that it is not possible to design a relief valve to vent this order of magnitude of pressure rate-of-rise. The user should be aware that any closed container, be it a pressure vessel, surge chamber, or pressure accumulator, could explode under certain conditions. There is no engineering substitute for care by the user in handling organic peroxide catalysts. If, at any time, the pressure relieve valve on top of the catalyst tank should vent, the area should be evacuated at once and the fire department called. The venting could be the first indication of a heat, and therefore, pressure build-up that could eventually lead to an explosion. Moreover, if a catalyst tank is sufficiently full when the pressure relief valve vents, some catalyst may spray out, which could cause eye injury. For this reason, and many others, anyone whose job puts them in an area where this vented spray might go, should always wear full eye protection even when laminating operations are not taking place.

Safety in handling MEKP depends to a great extent on employee education, proper safety instructions, and safe use of the chemicals and equipment. Workers should be thoroughly informed of the hazards that may result from improper handling of MEKP, especially regarding contamination, heat, friction and impact. They should be thoroughly instructed regarding the proper action to be taken in the storage, use, and disposal of MEKP and other hazardous materials used in the laminating operation. In addition, users should make every effort to:

- Store MEKP in a cool, dry place in original containers away from direct sunlight and away from other chemicals.
- Keep MEKP away from heat, sparks, and open flames.
- Prevent contamination or MEKP with other materials, including polyester over spray and sandings, polymerization accelerators and promoters, brass, aluminum, and non-stainless steels.

- Never add MEKP to anything that is hot, since explosive decomposition may result.
- Avoid contact with skin, eyes, and clothing. Protective equipment should be worn at all times. During clean-up of spilled MEKP, personal safety equipment, gloves, and eye protection must be worn. Firefighting equipment should be at hand and ready.
- Avoid spillage, which can heat up to the point of self-ignition.
- Repair any leaks discovered in the catalyst system immediately, and clean-up the leaked catalyst at once in accordance with the catalyst manufacturer's instructions.
- Use only original equipment or equivalent parts from Magnum Venus Products in the catalyst system (i.e.: hoses, fitting, etc.) because a dangerous chemical reaction may result between substituted parts and MEKP.
- Catalyst accumulated from the purging of hoses or the measurement of fluid output deliveries should never be returned to the supply tank, such catalyst should be diluted with copious quantities of clean water and disposed of in accordance with the catalyst manufacturer's instructions.

The extent to which the user is successful in accomplishing these ends and any additional recommendations by the catalyst manufacturer determines largely the safety that will be present in his operation.

## Clean-Up Solvents and Resin Diluents



### **WARNING**

***A hazardous situation may be present in your pressurized fluid system! Hydro carbon solvents can cause an explosion when used with aluminum or galvanized components in a closed (pressurized) fluid system (pump, heaters, filters, valves, spray guns, tanks, etc.). An explosion could cause serious injury, death, and/or substantial property damage. Cleaning agents, coatings, paints, etc. may contain Halogenated Hydrocarbon solvents. Some Magnum Venus Products spray equipment includes aluminum or galvanized components and will be affected by Halogenated Hydrocarbon solvents.***

There are three key elements to the Halogenated Hydrocarbon (HHC) solvent hazard.

- |    |   |  |
|----|---|--|
| 1. | The presence of HHC solvents.               | 1,1,1 – Trichloroethane and Methylene Chloride are the most common of these solvents. However, other HHC solvents are suspect if used; either as part of paint or adhesives formulation, or for clean-up flushing.   |
| 2. | Aluminum or Galvanized Parts.               | Most handling equipment contains these elements. In contact with these metals, HHC solvents could generate a corrosive reaction of a catalytic nature.   |
| 3. | Equipment capable of withstanding pressure. | When HHC solvent contact aluminum or galvanized parts inside a closed container such as a pump, spray gun, or fluid handling system, the chemical reaction can, over time, result in a build-up of heat and pressure, which can reach explosive proportions. When all three elements are present, the result can be an extremely violent explosion. The reaction can be sustained with very little aluminum or galvanized metal; any amount of aluminum is too much. |

- The reaction is unpredictable. Prior use of an HHC solvent without incident (corrosion or explosion) does NOT mean that such use is safe. These solvents can be dangerous alone (as a clean-up or flushing agent) or when used as a component or a coating material. There is no known inhibitor that is effective under all circumstances. Mixing HHC solvents with other materials or solvents such as MEKP, alcohol, or toluene may render the inhibitors ineffective.
- The use of reclaimed solvents is particularly hazardous. Reclaimers may not add any inhibitors. The possible presence of water in reclaimed solvents could also feed the reaction.
- Anodized or other oxide coatings cannot be relied upon to prevent the explosive reaction. Such coatings can be worn, cracked, scratched, or too thin to prevent contact. There is no known way to make oxide coatings or to employ aluminum alloys to safely prevent the chemical reaction under all circumstances.
- Several solvent suppliers have recently begun promoting HHC solvents for use in coating systems. The increasing use of HHC solvents is increasing the risk. Because of their exemption from many state implementation plans as Volatile Organic Compounds (VOCs), their low flammability hazard, and their not being classified as toxic or carcinogenic substances, HHC solvents are very desirable in many respects.



**WARNING**

***Do not use Halogenated Hydrocarbon (HHC) solvents in pressurized fluid systems having aluminum or galvanized wetted parts. Magnum Venus Products is aware of NO stabilizers available to prevent HHC solvents from reaction under all conditions with aluminum components in closed fluid systems. HHC solvents are dangerous when used with aluminum components in a closed fluid system.***

- Consult your material supplier to determine whether your solvent or coating contains Halogenated Hydrocarbon solvents.
- Magnum Venus Products recommends that you contact your solvent supplier regarding the best non-flammable clean-up solvent with the heat toxicity for your application.
- If, however, you find it necessary to use flammable solvents, they must be kept in approved, electrically grounded containers.
- Bulk solvent should be stored in a well-ventilated, separate building, 50 feet away from your main plant.
- You should only allow enough solvent for one day's use in your laminating area.
- NO SMOKING signs must be posted and observed in all areas of storage or where solvents and other flammable materials are used.
- Adequate ventilation (as covered in OSHA Section 1910.94 and NFPA No.91) is important wherever solvents are stored or used, to minimize, confine and exhaust the solvent vapors.
- Solvents should be handled in accordance with OSHA Section 1910.106 and 1910.107.

## Catalyst Diluents

Magnum Venus Products spray-up and gel-coat systems currently produced are designed so that catalyst diluents are not required. Magnum Venus Products therefore recommends that diluents not be used to avoid possible contamination which could lead to an explosion due to the handling and mixing of MEKP and diluents. In addition, it eliminates any problems from the diluent being contaminated through rust particles in drums, poor quality control on the part of the diluents suppliers, or any other reason. If diluents are absolutely required, contact your catalyst supplier and follow his instructions explicitly. Preferably the supplier should premix the catalyst to prevent possible “on the job” contamination while mixing.



### **WARNING**

***If diluents are not used, remember that catalyst spillage and gun, hose, and packing leaks are potentially more hazardous since each drop contains a higher concentration of catalyst and will therefore react more quickly with overspray and the leak.***

## Cured Laminate, Overspray and Laminate Sandings Accumulation

- Remove all accumulations of overspray, Fiberglass Reinforced Plastic (FRP) sandings, etc. from the building as they occur. If this waste is allowed to build up, spillage of catalyst is more likely to start a fire; in addition, the fire would burn hotter and longer.
- Floor coverings, if used, should be non-combustible.
- Spilled or leaked catalyst may cause a fire if it comes in contact with an FRP product, oversprayed chop or resin, FRP sandings or any other material with MEKP.

To prevent spillage and leakage, you should:

- |  |   |
|--|---|
| 1. Maintain your Magnum Venus Products System.   | Check the gun several times daily for catalyst and resin packing or valve leaks. REPAIR ALL LEAKS IMMEDIATELY.  |
| 2. Never leave the gun hanging over or lying inside the mold.  | A catalyst leak in this situation would certainly damage the part, possibly the mold, and may cause a fire.   |
| 3. Inspect resin and catalyst hoses daily for wear or stress at the entry and exits of the boom sections and at the hose and fittings. | Replace if wear or weakness is evident or suspected.  |
| 4. Arrange the hoses and fiberglass roving guides so that the fiberglass strands DO NOT rub against any of the hoses at any point.     | If allowed to rub, the hose will be cut through, causing a hazardous leakage of material which could increase the danger of fire. Also, the material may spew onto personnel in the area. |

## Toxicity of Chemicals

- Magnum Venus Products recommends that you consult OSHA Sections 1910.94, 1910.106, 1910.107 and NFPA No.33, Chapter 14, and NFPA No.91.
- Contact your chemical supplier(s) and determine the toxicity of the various chemicals used as well as the best methods to prevent injury, irritation and danger to personnel.
- Also determine the best methods of first aid treatment for each chemical used in your plant.

## Equipment Safety

Magnum Venus Products suggest that personal safety equipment such as EYE GOGGLES, GLOVES, EAR PROTECTION, and RESPIRATORS be worn when servicing or operating this equipment. Ear protection should be worn when operating a fiberglass chopper to protect against hearing loss since noise levels can be as high as 116 dB (decibels). This equipment should only be operated or serviced by technically trained personnel!



### CAUTION

***Never place fingers, hands, or any body part near or directly in front of the spray gun fluid tip. The force of the liquid as it exits the spray tip can cause serious injury by shooting liquid through the skin. NEVER LOOK DIRECTLY INTO THE GUN SPRAY TIP OR POINT THE GUN AT OR NEAR ANOTHER PERSON.***



### DANGER

***Contaminated catalyst may cause fire or explosion. Before working on the catalyst pump or catalyst accumulator, wash hands and tools thoroughly. Be sure work area is free from dirt, grease, or resin. Clean catalyst system components with clean water daily.***



### DANGER

***Eye, skin, and respiration hazard. The catalyst MEKP may cause blindness, skin irritation, or breathing difficulty. Keep hands away from face. Keep food and drink away from work area.***

## Treatment of Chemical Injuries



### CAUTION

***Refer to your catalyst manufacturer's safety information regarding the safe handling and storage of catalyst. Wear appropriate safety equipment as recommended.***

Great care should be used in handling the chemicals (resins, catalyst and solvents) used in polyester systems. Such chemicals should be treated as if they hurt your skin and eyes and as if they are poison to your body. For this reason, Magnum Venus Products recommends the use of protective clothing and eye wear in using polyester systems. However, users should be prepared in the event of such an injury.

**Precautions include:**

1. Know precisely what chemicals you are using and obtain information from your chemical supplier on what to do in the event the chemical gets onto your skin or into the eyes, or if swallowed.
2. Keep this information together and easily available so that it may be used by those administering first aid or treating the injured person.
3. Be sure the information from your chemical supplier includes instructions on how to treat any toxic effects the chemicals have.

**WARNING**

**Contact your doctor immediately in the event of an injury. If the product's MSDS includes first aid instructions, administer first aid immediately after contacting a doctor.**

Fast treatment of the outer skin and eyes that contact chemicals generally includes immediate and thorough washing of the exposed skin and immediate and continuous flushing of the eyes with lots of clean water for at least 15 minutes or more. These general instructions of first aid treatment may be incorrect for some chemicals; you must know the chemicals and treatment before an accident occurs. Treatment for swallowing a chemical frequently depends upon the nature of the chemical.

**Emergency Stop Procedure**

In an emergency, follow these steps to stop a UPS System:

1. The ball valve located where the air enters the power head of the resin pump, should be moved to the "OFF" or closed position.

**Note**      **The "open" or "on" position is when the ball valve handle is parallel (in line) with the ball valve body. The "closed" or "off" position is when the ball valve handle is perpendicular (across) the ball valve body.**

2. Turn all system regulators to the "OFF" position (counter-clockwise) position.
3. Verify / secure the catalyst relief line, located on the catalyst relief valve.
4. Verify / secure the resin return line, located on the resin filter.
5. Place a container under the resin pump ball valve to catch ejected resin.
6. Locate the ball valve on the resin pump.
7. Rotate the ball valve 90 degrees to the "On" or open position.

**Grounding**

Grounding an object means providing an adequate path for the flow of the electrical charge from the object to the ground. An adequate path is one that permits charge to flow from the object fast enough that it will not accumulate to the extent that a spark can be formed. It is not possible to define exactly what will be an adequate path under all conditions since it depends on many variables. In any event, the grounding means should have the lowest possible electrical resistance.

Grounding straps should be installed on all loose conductive objects in the spraying area. This includes material containers and equipment. Magnum Venus Products recommends grounding straps be made of AWG No.18 stranded wire as a minimum and the larger wire be used where possible. NFPA Bulletin No77 states that the electrical resistance of such a leakage path may be as low as 1 meg ohm (10 ohms) but that resistance as high as 10,000 meg ohms will produce an adequate leakage path in some cases.

**CAUTION**



***Whenever flammable or combustible liquids are transferred from one container to another, or from one container to the equipment, both containers or container and equipment shall be effectively bonded and grounded to dissipate static electricity. For further information, see National Fire Protection Association (NFPA) 77, titled “Recommended Practice on Static Electrical”. Refer especially to section 7-7 titled “Spray Application of Flammable and Combustible Materials”.***

## Introduction

The MVP Classic Pro Gun is an air-trigger gun; meaning when an air signal is sent to the actuator, the actuator piston pushes on the actuator stem and rotates the gun block into the ON position. The gun works similarly to a dual ball valve, in that the valve rod rotates and the catalyst and resin holes line up with the ports in the gun block to allow material to flow. The actuator is an air cylinder, and as the piston moves back and forth, it rotates the valve rod 90 degrees to the ON position.

The Classic Pro Gun will not need to be completely disassembled for daily cleaning, however the entire gun should be disassembled and the O-rings and seals replaced every six months. The gun breaks down into four separate modules which can then be further disassembled into their individual parts. A special tool kit including a specially designed Pro Gun™ tool and a packing assembly tool is available to assist in performing maintenance and repair.

This manual provides information for the operation, maintenance, and simple repair of the MVP Classic Pro Gun. The following procedures are included:

- Step-by-step assembly and disassembly
- Troubleshooting



Please read this manual carefully and retain for future reference. Follow the steps in the order given, otherwise you may damage the equipment or injure yourself.

As you disassemble the equipment, lay out the components on a clean surface in the correct order and direction to assist in reassembly.

## Gun Assemblies and Components

This manual covers the following Pro Gun assemblies:

- CPG-1000-W                      Classic Pro Gun Assembly - Wetout
- CPG-1000-X                      Pro Gelcoat Gun Assembly

---

• CPG-1000-X-INT	Pro Gelcoat Gun – International
• CPG-2000-X	Pro Gelcoat Gun – FIT
• CPG-2000-X-INT	Pro Gelcoat Gun – International FIT
• CPC-1000-X	Classic Pro Chopper Gun
• CPC-1000-X-INT	Classic Pro Chopper Gun – International
• CPC-2000-X	Classic Pro Chopper Gun – FIT
• CPC-2000-X-INT	Classic Pro Chopper Gun – International FIT
• CPP-3000	Classic Pro Gun Assembly – Spray Putty
• CPP-6000	Classic Pro Gun Assembly – Putty Pour
• CPW-1000-X	Classic Pro Gun Assembly – Wetout
• CPW-1000-X-INT	Classic Pro Gun Assembly – International Wetout
• CPW-1000-SBC	Classic Pro Gun Assembly – Barrier Coat
• CPW-2000-X	Classic Pro Gun Assembly – FIT
• CPW-2000-X-INT	Classic Pro Gun Assembly – International FIT
• CPW-4000	Classic Pro Gun Assembly – FIT Reversible Tip
• 58320-1	Classic Pro Gelcoat Gun Assembly – with Quick Exhaust
• 5102-01-0X	Classic Pro Gelcoat Gun Assembly

## Getting Started

### Tools Needed

You will need the following to perform the maintenance detailed in this manual:

- Rubber mallet
- Thread sealant
- Adjustable wrench
- Needle-nose pliers
- Flat head screwdriver
- Lubriplate™ lubricant
- Scribe set
- Pro Gun oil
- Turbulent mixer puller
- Seal installation tool
- Alignment tool for resin seals
- Alignment tool for catalyst seals

- $\frac{5}{32}$  Hex wrench
- T15 TORX Bit
- Pro Gun screwdriver and packing bit

**Note** *CP-TOOLS-INT available from MVP contains the last 8 items on the list.*

## Other Materials

You should also have appropriate cleaning materials available such as solvent, clean shop towels or rags, a small brush, and empty containers into which you can flush the gun.

You will need new O-rings and seals to replace the existing ones in the gun. Refer to the Parts Information to obtain proper part numbers for the O-rings and seals you are replacing.

**Note** *If you are using O-ring part number 01128 in the gun block, you only need to replace it when it is showing obvious signs of wear. This O-ring is specially designed to handle most solvents.*

## Disconnecting from the Unit

### Release System Pressure

1. Turn off air supply to the pumping system.
2. Release fluid pressure from lines by holding the gun over an appropriate waste container and pulling the trigger.
3. Flush the gun into an appropriate container.
4. Turn off air supply to the solvent tank.
5. Release any pressure in the flush tank by gently pulling the ring attached to the pressure relief valve.
6. Disconnect the air line from the rear of the gun handle.
7. Place an empty container under the ball valve located at the bottom of the filter assembly.
8. **Slowly** open the ball valve.

**Note** *You can leave the valve open or close it once all the pressure has been released.*

### Disable Catalyst Pump

#### Slave Arm Pumps

9. Perform this procedure if your unit has a slave arm catalyst pump:
  - Remove the quick pin from the top of the catalyst pump and upper slave arm.
  - Tilt the catalyst pump away from the resin pump until the catalyst pump is resting against the vertical connecting post.

- Trap the catalyst pump's upper bearing block between the vertical connecting post and the quick pin.

## Ultra Proportioning Systems (UPS)

10. Perform this procedure if you have UPS catalyst pump:

- Remove the hairpin from the quick pin assembly.
- Remove the quick pin assembly from the pivot link assembly.

## Remove Hoses



### **WARNING**

***There may still be trapped fluids under pressure in the lines. Remove fittings slowly to allow any pressurized fluid to escape.***



### **CAUTION**

***Wear appropriate eye protection. Pressurized fluids may cause eye injury.***

11. Wrap a large rag or shop towel around the resin fitting and a wrench.
12. Use the wrench to loosen the fitting slowly until you can remove the resin hose from the fitting.
13. Use the same technique to remove the solvent hose and the catalyst hose.

## **Disassembling the Gun**



### **WARNING**

***To prevent injury, be sure all air is disconnected from the gun and that all pressure has been relieved before attempting to remove the trigger guard. The bolt that secures the trigger guard to the air cylinder also serves as a plug for the end cap. Removing this bolt without relieving air pressure can result in injury.***

1. Check to make sure all air is disconnected from the gun.
2. Check to make sure all pressure is relieved from the gun.
3. Disconnect the trigger guard by using a wrench to remove the nut securing the top of the trigger guard to the end cap on the gun's actuating cylinder.

## Disassemble into Modules

4. If your Pro Gun is not used for chopping, skip to step [7](#).
5. Detach the chopper assembly by removing the air tube that connects the chopper to the gun handle.
6. Remove the hex cap screw securing the chopper to the top of the gun block.

**Note**      ***Be careful not to lose the eccentric stud in the chopper mount.***

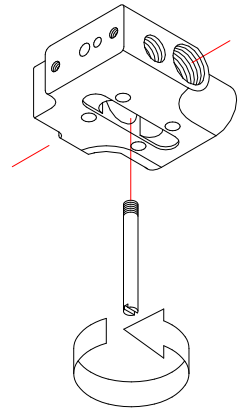
7. Remove the four screws that secure the gun block to the actuator.
8. Set the gun block aside for now.
9. Remove the two mounting screws that secure the handle to the actuator.

## Disassemble Gun Block

### Remove Actuating Stem

10. Unscrew the actuating stem from the valve rod.
11. Tightly clamp the actuating stem into a soft-jawed vise and rotate the whole gun block.

**Note**      ***Do not use the screwdriver slot in the end of the actuating stem for removal. If the slot becomes damaged, the stem will no longer fit into the actuator bushing. Make sure the actuating stem is smooth so that it does not wear out the actuator bushing.***



### Remove and Disassemble Flush Valve Assembly

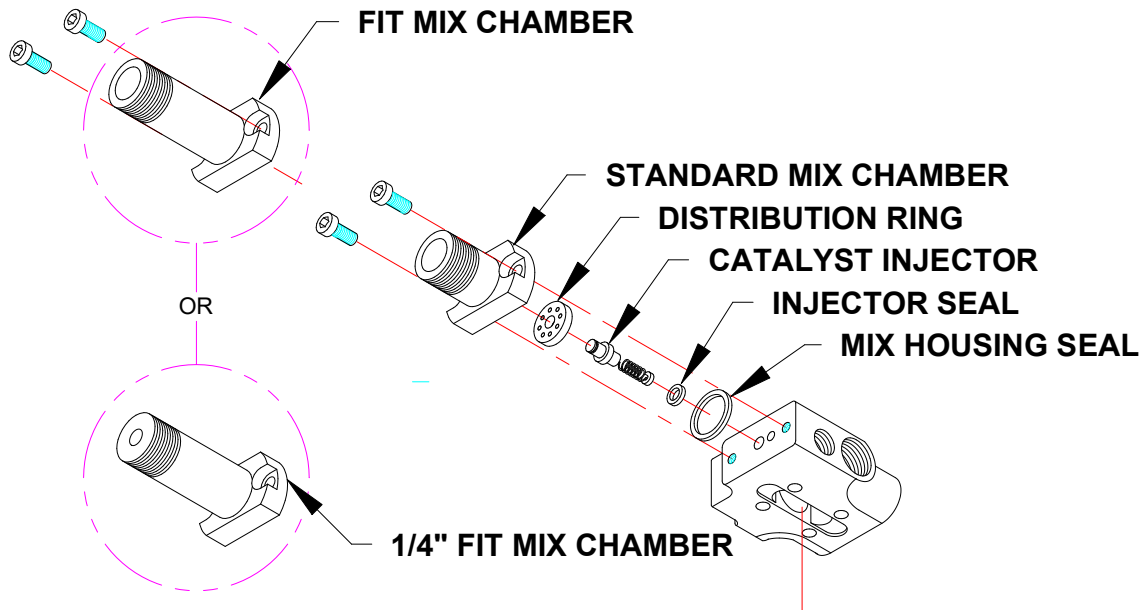
12. Unscrew the flush valve body from the gun block
13. Remove the split seal from the flush valve body.
14. Remove the flush valve body from the flush valve neck.
15. Remove the flush valve seal from the flush valve body.
16. Unscrew the flush seal body from the flush valve button.
17. Remove the spring.
18. Use a scribe to remove the O-ring from the flush valve button.
19. Remove the O-ring from the flush seal body.
20. Set parts aside.
21. Discard and replace the flush valve's O-rings and seals.

**Note**      ***The flush button O-ring (O-E-008) can be replaced by the O-K-008 O-ring designed for use with all solvents.***

### Remove Mix Housing

22. Remove the nozzle cap from the mix housing.
23. Remove the nozzle from the cap.
24. Unscrew the screws holding the mix housing to the gun block and remove the mix housing.
25. Pull the injector seal out and set the injector assembly aside.
26. Insert the turbulent mixer puller and give a slight twist to remove the turbulent mixer.

27. Use a blunt tool to push the distribution ring and housing seal out of the mix housing.
28. Inspect and clean the mix housing components with solvent.



### Disassemble the Catalyst Injector Assembly

29. Unscrew the plunger retainer from the end of the injector plunger.
30. Remove the spring.
31. Remove the injector plunger from the injector body.
32. Inspect the plunger and the injector body for dirt or damage.
33. Clean and reassemble.

### Remove Hose Fittings

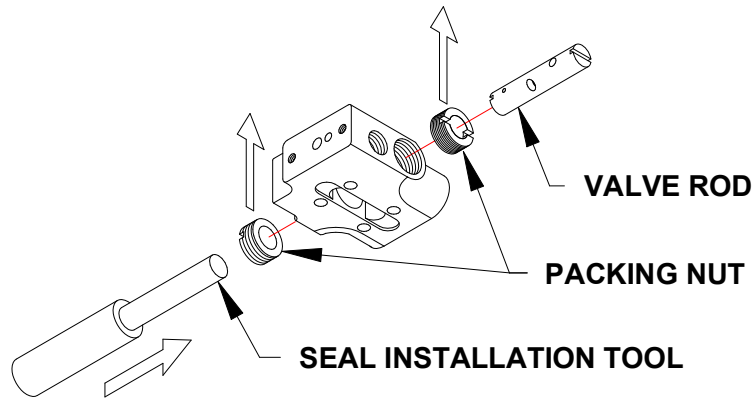
34. Remove and clean the catalyst fitting and O-ring on the rear of the gun block.
35. Remove and clean the resin fitting and O-ring on the rear of the gun block.

### Remove the Valve Rod

36. Use the magnetic handle and packing bit to unscrew the packing nuts from both the catalyst and resin side.

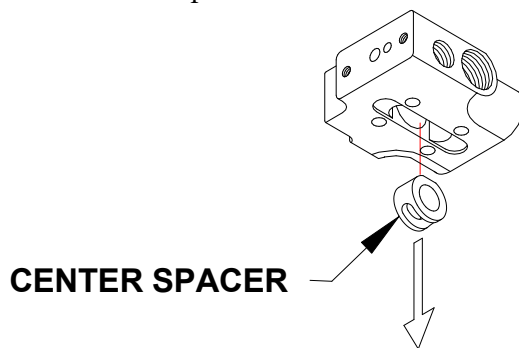
**Note**     ***Use caution not to damage the packing bit. If you are unable to remove the packing nut, soak in solvent or apply heat to the packing nuts to loosen them.***

37. Place the small end of the seal installation tool onto one end of the valve rod.
38. Use a rubber mallet or rubber hammer to gently tap the valve rod out of the gun block.
39. Inspect the valve rod for damage and clean with solvent.



## Remove Center Spacer

40. Use needle-nose pliers to remove the center spacer.



## Remove Catalyst and Resin Seals

41. Insert the seal installation tool into one of the side ports and gently tap it completely through the gun block with a rubber hammer or mallet.  
As the tool is tapped through the interior of the gun block it removes the seal sets for both the resin and catalyst seals.
42. Remove the catalyst and resin seal (relief spacer and secondary seal) from the seal installation tool.
43. Clean with solvent.



### **DANGER**

***Contaminated catalyst may cause fire or explosion. Keep the components of the catalyst side separate from the components of the resin side to avoid cross-contamination.***

44. Clean the two relief spacers with solvent and allow to air dry.
45. Discard the seals and replace with new ones from the repair kit.

## Remove Check Valve or Catalyst Plug

46. Choose one of these options:
- *If you have a domestic Pro Gun:* Remove the plug from the side of the gun block and check the O-ring for damage.

- *If you have an international Pro Gun:* Remove the check valve on the side of the gun block.



**DANGER**

***This valve serves as check valve to the catalyst system. These valves have undergone specific remanufacture for use with the Pro Gun. If it needs to be replaced, replace only with a part obtained from Magnum Venus Products. Using a check valve from another source may result in contamination and/or dangerous ignition of the catalyst.***

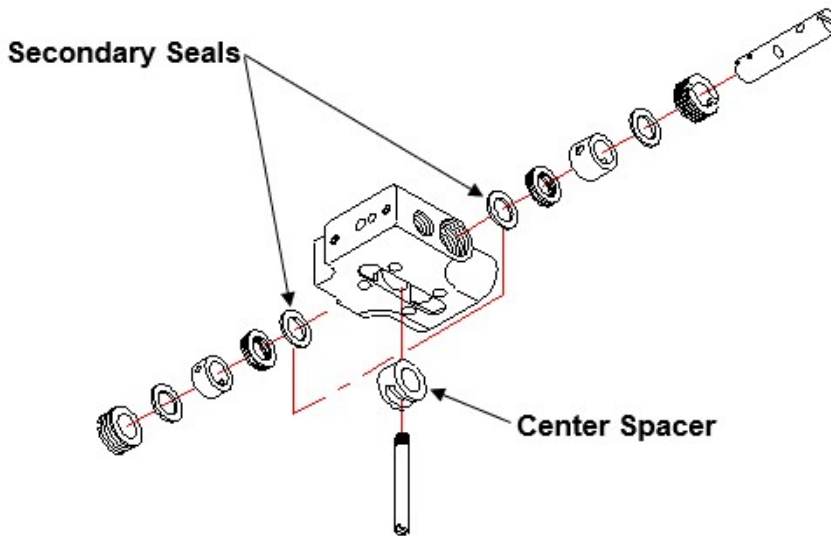
## Reassembling Gun Block

### Clean Gun Block

1. Discard O-rings and seals.
2. Clean remaining components with solvent and allow to air dry.

### Install Secondary Seals

3. Place one of the secondary seals into the center of the gun block where the center spacer goes.
4. Gently push the secondary seal into position with something flat, flush with the gun block, using caution not to damage the seal.
5. Repeat steps [3](#) - [4](#) for the other secondary seal.



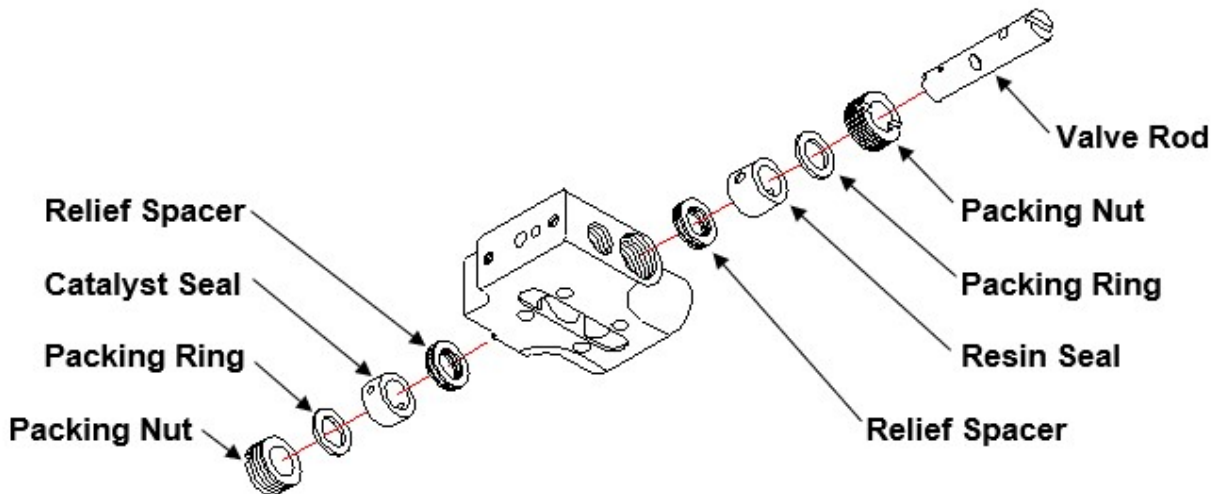
6. Place the center spacer in the gun block, making sure it is aligned as accurately as possible with the slot facing up.

**Note**     ***Use caution not to damage the secondary seals previously installed.***

## Reassemble Catalyst Components

7. Place the catalyst component onto the seal installation tool in the following order:
- Packing ring
  - Catalyst seal
  - Relief spacer

**Note**     ***The hole in the catalyst seal should be aligned with the port in the gun block before inserting the seal installation tool into the gun block.***



8. Insert the seal installation tool with the components on it into the catalyst side of the gun block.
9. Press firmly (or tap with a rubber mallet), then pull the packing tool out of the gun block.
10. The catalyst components should be seated in the interior of the gun block against the center spacer.
11. Gently screw a packing nut into the catalyst side, but do not tighten.

### Align Catalyst Seal

12. Hold the catalyst alignment tool (tapered drill bit) firmly with a pair of pliers.
13. Insert the catalyst alignment tool tapered end first into the gun block through the rear.
14. Gently press and move the alignment tool around until the holes in the catalyst seal align with the port in the gun block.

**Note**     ***At this point, the catalyst side packing nut should only be hand tight.***

## Reassemble Resin Components

15. Place the resin components onto the seal installation tool in the following order:
- Packing ring

- Resin seal
- Relief spacer

**Note**     ***Before inserting the packing tool, align the hole in the resin seal with the hole in the gun block as closely as possible.***

16. Insert the seal installation tool into the resin side of the gun block.
17. Tap gently with a rubber hammer or mallet, then pull the packing tool out of the gun block.

**Note**     ***The resin components should be seated in the interior of the gun block against the center spacer.***

18. Gently screw a packing nut into the resin side, but do not tighten.

### **Align Resin Seal**

19. Hold the resin alignment tool (tapered drill bit) firmly with a pair of pliers.
20. Insert the resin alignment tool tapered end first into the gun bloc through the rear.
21. Gently move the resin alignment tool inside the gun block so that the holes in the resin seal align with the port in the gun block.

**Note**     ***At this point, the resin side packing nut should only be hand tight.***

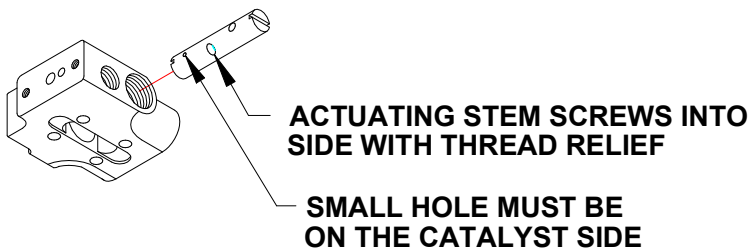
### **Install Valve Rod and Actuating Stem**

22. Insert the valve rod into the gun block through the resin side, using a packing tool to center.

**Note**     ***Make sure the valve rod is correctly aligned. The larger hole goes on the resin side and the smaller hole goes on the catalyst side. The middle hole, into which the actuating stem will be inserted, must also be correctly aligned. One end of the middle hole has a relief that should face out of the gun block.***

23. Screw the actuating stem into the valve rod through the center spacer.

**Note**     ***Make sure the actuating stem is screwed into the side of the valve rod with the larger hole (thread relief).***



24. Look down the front of the gun while moving the actuating stem back and forth and observe the holes opening and closing.
25. Set the actuating stem so that the holes are closed.

## Tighten Packing Nuts

26. Tighten both the resin and catalyst packing nuts, being careful not to damage the packing bit.
27. Move the actuating stem back and forth, opening and closing the gun.
28. Retighten both the resin and catalyst packing nuts.
29. Repeat steps [26](#) - [28](#) one more time.

## Reinstall Fittings and Valves

30. Reinstall the fitting and O-ring for the resin hose on the rear of the gun block.
31. Reinstall the catalyst fitting and O-ring on the rear of the gun block.
32. Choose one of these options:
  - *If you have an international Pro Gun:* Reinstall the check valve and O-ring on the front side port on the catalyst side of the gun block.
  - *If you have a domestic Pro Gun:* Thread the catalyst plug into the front side port on the catalyst side of the gun block.

## Reassemble Flush Valve

33. Place the O-ring on the flush valve button.
34. Insert the spring onto the flush valve button.
35. Push the button and spring into the flush valve body.
36. Place the O-ring on the flush seal body.
37. Insert a flush seal body into the end of the flush valve body and screw it onto the button.
38. Place a flush valve seal on the flush valve body.
39. Install the flush valve body into the flush valve neck.
40. Install the split seal onto the flush valve body.
41. Screw the flush valve assembly into the front side port on the resin side of the gun block.

**Note**     ***There are several variations on the flush valve assembly, including air/solvent purge and high-pressure flush. Check the drawing for your gun to determine the correct valve assembly for your gun.***

## Assemble Mix Housing

42. Install the distribution ring into the mix housing.

**Note**     ***Make sure the distribution ring is positioned correctly with the chamfered edge of the hole facing away from the turbulent mixer and toward the gun block.***

**Note**     ***Make sure the holes in the distribution ring are clean and free of debris or hardened material.***

43. Position the mix housing seal into the mix housing and adjust the distribution ring.
44. Insert the catalyst injector assembly and injector seal into the center hole of the distribution ring with the spring facing up.
45. Use the socket cap screws to attach the mix housing to the gun block.



**WARNING**

***Screws and fasteners provided with the Pro Gun are specially designed for this equipment. Use only MVP replacement parts or warranty may be voided.***

46. Insert the turbulent mixer into the mix housing.
47. Apply some red grease to the threads of the mix housing and nozzle cap for ease of removal later.
48. Install the nozzle into the nozzle cap.
49. Screw the nozzle and nozzle cap onto the mix housing.

## Rebuilding Actuator

### Disassemble Actuator

1. Remove the two O-rings from the underside of the cylinder body.
2. Unscrew the cylinder caps from each end of the cylinder body.
3. Remove the O-ring from each of the cylinder caps.
4. Remove the actuating piston by pushing it out the back end of the cylinder body with a blunt tool.
5. Use a scribe to remove the O-ring from the actuating piston, using care to avoid damaging the actuating piston.

**Note**      ***Replace O-rings each time the gun is disassembled.***

6. Discard the used O-rings.
7. Clean the cylinder assembly components with solvent and allow to air dry.

**Note**      ***Do not soak actuating piston or cylinder caps in solvent; they will swell.***

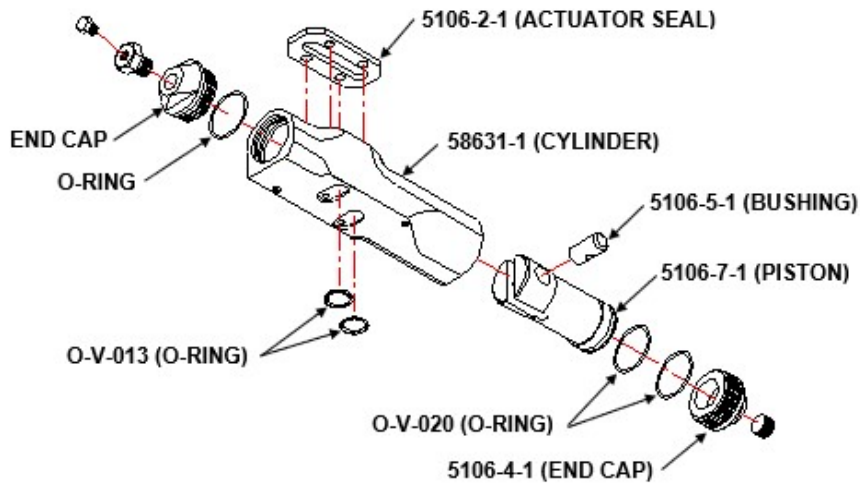
### Assemble Actuator Cylinder

8. Place a new O-ring onto the actuating piston.
9. Insert the actuating bushing into the actuating piston.

**Note**      ***The hole in the actuating bushing must be facing up so the bushing hole can receive the actuating stem when the gun block is assembled.***

10. Use MVP Pro Gun Oil to lubricate the interior of the cylinder body and the actuating piston.

11. Insert the actuating piston into the cylinder body.



**Note** *Install the actuating piston into the cylinder so that the bushing is on the high side of the piston centerline. Use caution not to damage the O-ring on the piston while installing into the cylinder body.*

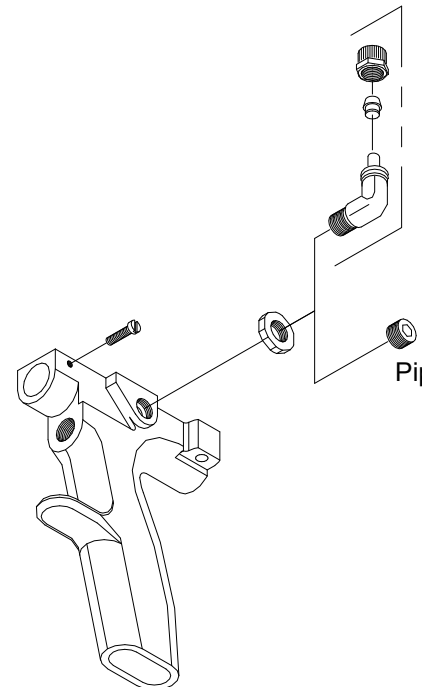
12. Place new O-rings in the grooves on the underside of the cylinder body.
13. Install a new O-ring on each of the cylinder caps.
14. Reinstall the two cylinder caps onto the cylinder body.

## Rebuilding Gun Handle

### Remove Chopper Elbow Assembly

1. If the elbow fitting has not already been removed, use a wrench to loosen the pipe seal on the elbow assembly.
2. Unscrew the elbow by hand.

**Note** *The elbow assembly is used to supply air to the chopper. The gelcoater guns have different elbow assemblies and also include a plug. When ordering replacement parts, make sure to reference the correct parts drawing for your gun.*

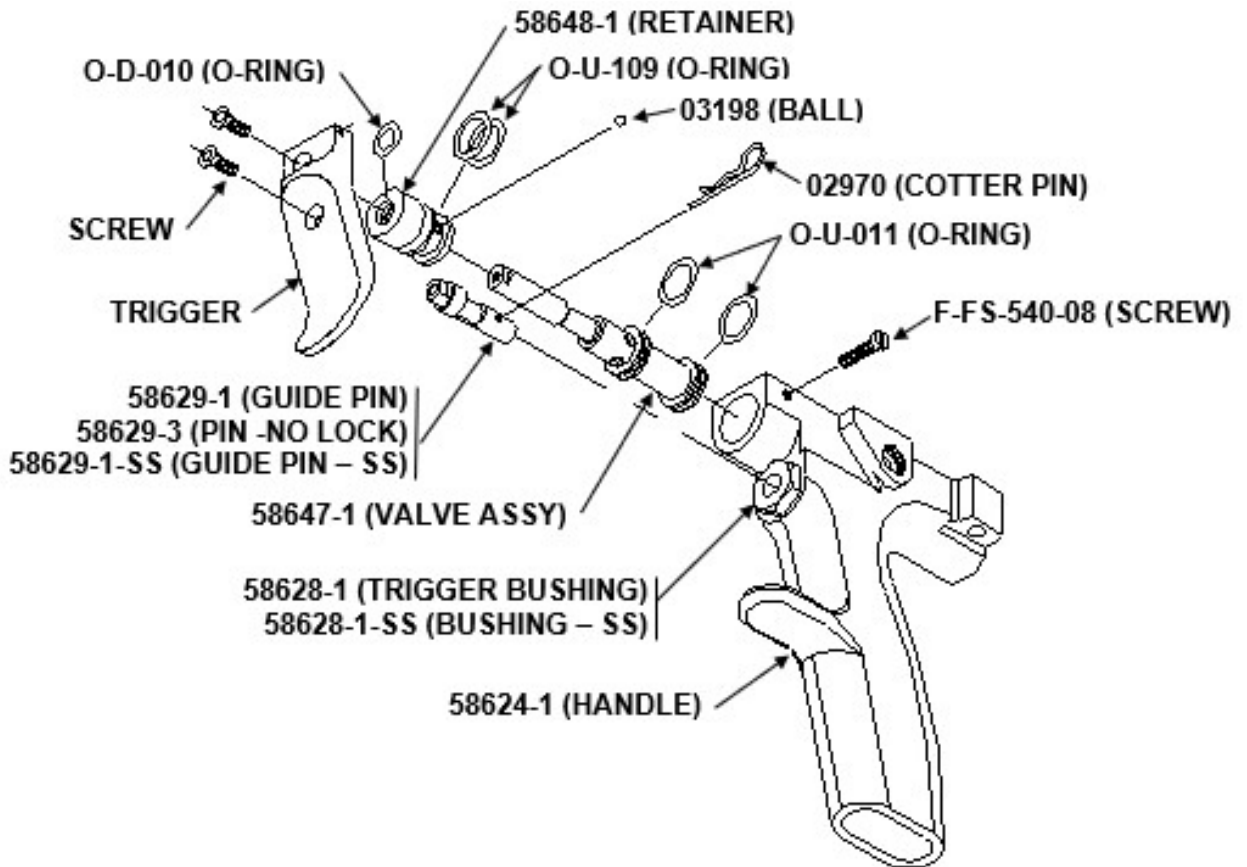


### Remove Trigger Assembly

3. Remove trigger locking hairpin.
4. Remove the fillister-head screw on the side of the gun head.
5. Pull the trigger retainer and spool assembly from the gun handle interior.

## Disassemble Trigger Retainer

6. Remove the upper screw from the trigger.
7. Pull the trigger retainer off the spool assembly.
8. Remove the O-ring from inside the trigger retainer.



9. Remove the balls in the trigger retainer by inserting a small scribe between the two O-rings and into each side of the retainer.

**Note** *Be careful not to drop the chrome balls located inside the trigger retainer. If your gun is used for gel coating, these balls will not be included.*

10. Remove the two O-rings on the trigger retainer.
11. Remove the two O-rings on the spool assembly.

**Note** *The spool assembly does not disassemble.*

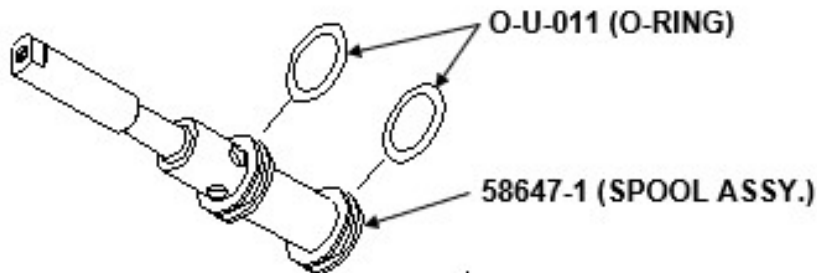
12. Discard the used seals and O-rings and clean the remaining parts in solvent.

## Assemble Gun Handle

**Note** *Refer to the drawing for your gun in the Parts Information section to obtain the correct parts numbers when reassembling.*

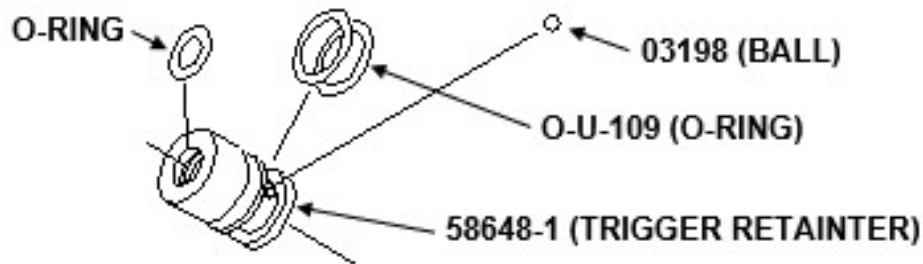
## Replace O-rings and Seals

13. Discard used O-rings and seals and obtain new ones.
14. Reinstall the two O-rings on the spool assembly.
15. Lubricate the O-rings with Pro Gun oil.



## Reassemble Trigger Retainer

16. Place two O-rings in the external groove on the trigger retainer.



17. If you do not want to install a detent (stop) in the gun trigger for the two-stage trigger, skip to step 21.
18. To prevent the steel balls from falling through the trigger retainer, temporarily insert the tip of the spool assembly into the trigger retainer.
19. Place a drop of Pro Gun oil into the trigger retainer to help secure the balls.
20. Insert the ball into the trigger retainer using a scribe to position it into the detents in the trigger retainer.
21. Insert the O-ring into the internal groove of the trigger retainer.

**Note**      ***Use the top of the spool assembly in the trigger retainer to prevent the O-ring from falling through the retainer.***

22. Remove the tip of the spool assembly from the trigger retainer and reinsert the spool assembly into the correct end of the trigger retainer, rotating the shaft  $\frac{1}{4}$  turn as you push it in.
23. Grease the end of the spool assembly with Pro Gun oil.
24. Screw the spool assembly to the trigger using TORX screw.
25. Thoroughly lubricate the spool assembly and trigger retainer with MVP gun oil.

## Attach Trigger Assembly to Handle

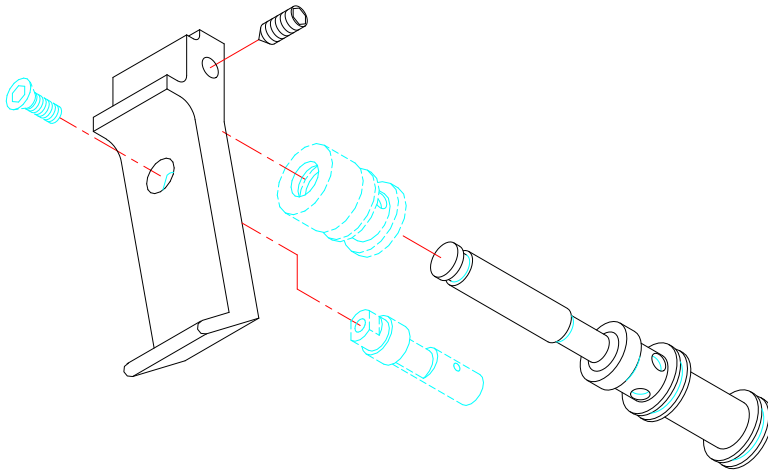
26. Insert the trigger assembly into the gun handle and secure with the fillister-head screw on the side of the handle.

**Note** *Be sure the front of the trigger retainer assembly is flush with the gun handle before installing screw.*

27. Install trigger hairpin as safety lock.

### **Optional Trigger and Spool Assembly**

The conversion kit offers an alternative to the standard trigger and spool assemblies. The updated trigger is used in conjunction with the spool to provide a more durable design and eliminates the need for one of the screws in the end of the trigger.



### **Install Elbow**

28. Install the pipe seal and elbow on the handle by screwing it in by hand.
29. Use a wrench to tighten the pipe seal.

## **Reassembling Gun**

1. Use the two mounting screws to secure the handle assembly to the actuator assembly.

**Note** *The hole in the actuating bushing must be facing up so that the bushing hole can receive the actuating stem of the gun block.*

2. Using the four mounting screws, secure the gun block to the actuator.

**Note** *The actuating stem must be in the hole of the actuator bushing. If you are unsure, remove the front endcap of the actuator and look.*

3. If your gun is used for chopping, install the hex cap screw to secure the chopper to the front of the gun block and attach the air tube that connects the chopper to the gun handle.

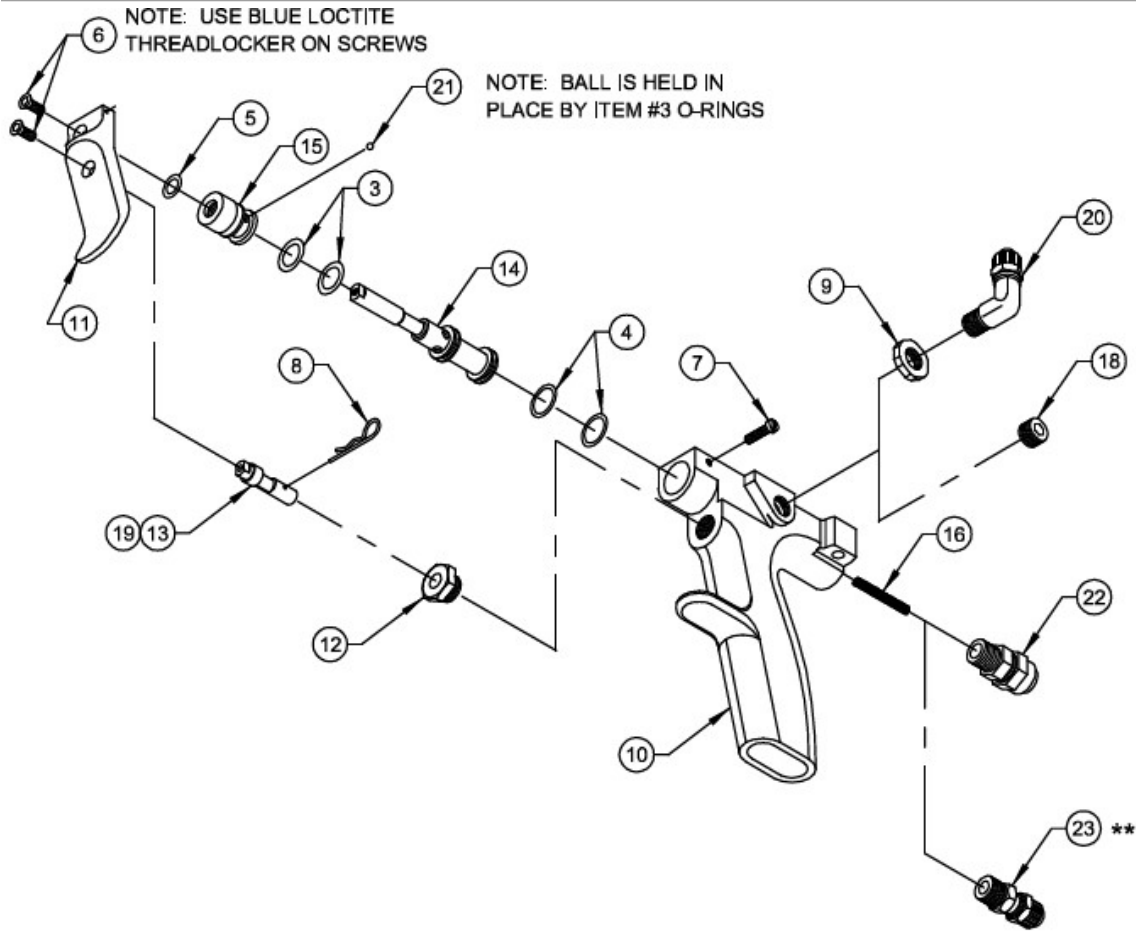
**Note** *Be sure to install the eccentric stud in the chopper mount.*

## Parts Information

The following drawings are included to show the full assemblies for the various configurations of guns:

Parts Drawings	
Part Number	Description
58603-X	Pro Gun Handle Assembly
58604-1	Pro Gun Actuator Assembly
CPG-1000-W	Classic Pro Gun Assembly - Wetout
CPG-1000-X	Pro Gelcoat Gun
CPG-1000-X-INT	Classic Pro Gelcoat Gun - International
CPG-2000-X	Classic Pro Gelcoat Gun – FIT
CPG-2000-X-INT	Classic Pro Gelcoat Gun – International FIT
CPC-1000-X	Classic Pro Chopper Gun
CPC-1000-X-INT	Classic Pro Chopper Gun – International
CPC-2000-X	Classic Pro Chopper Gun – FIT
CPC-2000-X-INT	Classic Pro Chopper Gun – International FIT
CPP-3000	Classic Pro Gun Assembly – Spray Putty
CPP-6000	Classic Pro Gun Assembly – Putty Pour
CPW-1000-X	Classic Pro Gun Assembly – Wetout
CPW-1000-X-INT	Classic Pro Gun Assembly – International Wetout
CPW-1000-SBC	Classic Pro Gun Assembly – Barrier Coat
CPW-2000-X	Classic Pro Gun Assembly - FIT
CPW-2000-X-INT	Classic Pro Gun Assembly – International FIT
CPW-4000	Classic Pro Gun Assembly – FIT Reversible Tip
58320-1	Classic Pro Gun Assembly with Quick Exhaust
5102-01-0X	Classic Pro Gelcoat Gun Assembly
5102-01-0X-INT	Classic Pro Gelcoat Gun Assembly – International
CPW-1100-SBC	Pro Gun Block Assembly – Barrier Coat
58602-1	Pro Gun Block Assembly
5104-00-01-INT	Pro Gun Block Assembly - CE
5104-00-1	Pro Gun Block Assembly
VFTC-4100-X	Pro Gun Block Assembly – FIT
VFTC-4100-X-INT	Pro Gun Block Assembly – International FIT
58756-1	Pro Gun Block Assembly – Putty
CPP-6100	Pro Gun Block Assembly - Putty
CPC-2000-RK	Major Repair Kit – Pro FIT
CPC-2000-RK-INT	Major Repair Kit – Pro FIT – International
58666-1	Major Repair Kit – Pro Gun Block
58666-1-INT	Major Repair Kit – Pro Gun Block – International
CPG-1007-CK	Trigger Conversion Kit
6702-016-01	Repair Kit – Pro Gun Block

<b>Parts Drawings</b>	
<b>Part Number</b>	<b>Description</b>
6702-016-01-A	Repair Kit – Pro Gun Block – Gun Block Only
6702-016-01-INT	Repair Kit – Pro Gun Block - International
CPP-3000-RK	Repair Kit – Pro Gun Assembly - Putty
CPP-6000-RK	Repair Kit – Pro Gun Assembly – Putty Pour
CPP-6100-RK	Repair Kit – Pro Gun Block – Putty Pour
CPW-4000-RK	Repair Kit – Pro Gun Assembly – Wetout
CPW-1000-SBC-RK	Repair Kit – Pro Gun Assembly – Barrier Coat



NOTE: ITEM 21 MAY BE REMOVED ON GUNS WHEN STAGED TRIGGER IS NOT DESIRED (GELCOAT, WETOUT)

\*\* NOTE: ITEM 23 IS INCLUDED FOR EXISTING GELCOAT AND WETOUT GUNS THAT USE 6504-1-0.5 1/4" POLY WHIP,  
AS WELL AS CPD GUNS WITH NO WHIP. NEW GELCOAT AND WETOUT GUNS USE 6506-1-0.5 3/8" POLY WHIP

## MAGNUM VENUS PLASTECH

Chopper Handle Assembly - Pro Gun	58603-1
Gelcoat / Wetout Handle Assembly - Pro Gun	58603-3

REV. H = ADDED NOTE FOR ITEM 21, ADDED CPG-1007-CK TO OPTIONAL EQUIPMENT 04/28/09 BT2  
 REV. I = ADDED ITEMS 12A AND 13A TO OPTIONAL EQUIPMENT 01/25/11 BT2  
 REV. J = ITEM 4 WAS O-U-012 05/09/11 BT2  
 REV. K = ADDED ITEM 22 TO 58603-3 GELCOAT HANDLE ASSEMBLY, ADDED NOTE FOR ITEM 23 FOR EXISTING GUNS 03/28/18 BT2

**Common Assembly Parts For**  
**Chopper Handle Assy - Pro Gun 58603-1**  
**Gelcoat / Wetout Handle Assy - Pro Gun 58603-3**

**PARTS LIST**

ITEM	PART NO.	QTY	DESCRIPTION
3	O-U-109	2	O-RING
4	O-U-011	2	O-RING
5	O-D-010	1	O-RING
6	02647-3	2	FLAT HEAD TORX SCREW
7	F-FS-540-08	1	SLOTTED FILLISTER HEAD SCREW
8	02970	1	HAIRPIN COTTER
10	58624-1	1	PRO GUN HANDLE
11	58625-1	1	PRO GUN TRIGGER
12	58628-1	1	TRIGGER GUIDE BUSHING
13	58629-1	1	TRIGGER GUIDE PIN
14	58647-1	1	TRIGGER VALVE ASSY
15	58648-1	1	TRIGGER RETAINER
16	04017	1	SPRING
21	03198	1	1/8" CHROME BALL

**Chopper Handle Assy - Pro Gun 58603-1**

**PARTS LIST**

ITEM	PART NO.	QTY	DESCRIPTION
9	05500	1	PIPE THREAD SEAL
20	7701-6-18	1	MALE POLY ELBOW
22	00003-1	1	STRAIGHT POLY FITTING

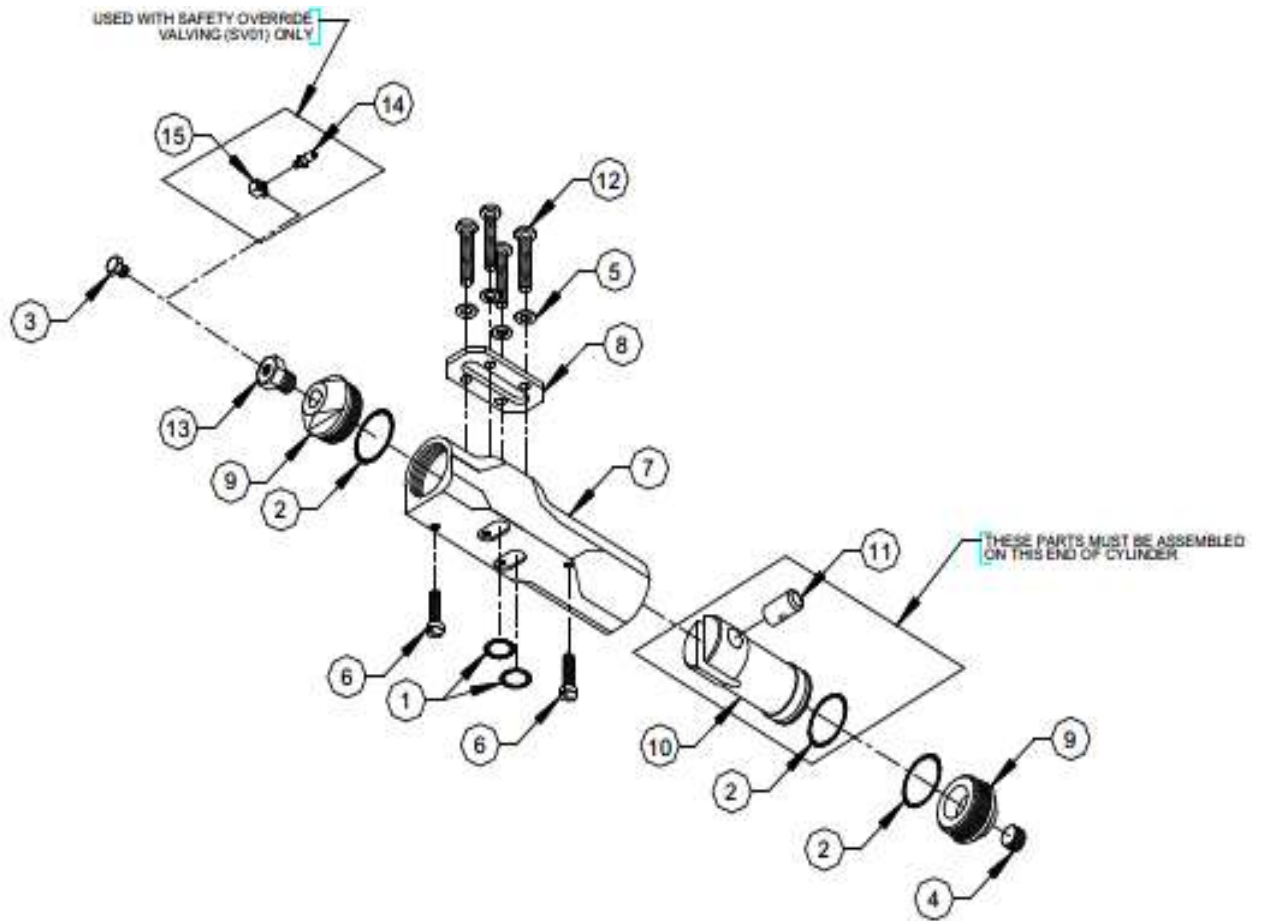
**Gelcoat Handle Assy - Pro Gun 58603-3**

**PARTS LIST**

ITEM	PART NO.	QTY	DESCRIPTION
18	PF-AP-02	1	PIPE PLUG
22	00003-1	1	STRAIGHT POLY FITTING
23	5102-1-1	1	STRAIGHT POLY FITTING

**OPTIONAL PARTS AND ASSEMBLIES**

ITEM	PART NO.	QTY	DESCRIPTION
12A	58628-1-SS	1	TRIGGER GUIDE BUSHING (STAINLESS)
13A	58629-1-SS	1	TRIGGER GUIDE PIN (STAINLESS)
19	58629-3	1	TRIGGER GUIDE PIN (NON LOCKING)
	CPG-1007-CK	1	TRIGGER UPGRADE CONVERSION KIT



## MAGNUM VENUS PLASTECH

Pro Series Gun Actuator Assembly

58604-1

Pro Series Gun Actuator Assembly with Signal

58604-1-S

REV. A = ADDED 58604-1-S ACTUATOR TO DRAWING 09/14/05  
 REV. B = UPDATED ITEMS 1, 2, AND 3 TO ALPHA-NUMERIC, ITEM 14 WAS 7701-6-7 03/28/08 BT2

Pro Series Gun Actuator Assembly 58604-1

COMMON PARTS LIST

ITEM	PART NO.	QTY	DESCRIPTION
1	O-V-013	2	O-RING
2	O-V-020	3	O-RING
4	PF-AP-02	1	1/8" PIPE PLUG
5	5106-3-1	4	MOUNTING SEAL
6	58626-1	2	MOUNTING SCREW
7	58631-1	1	CYLINDER BODY ASSY
8	5106-2-1	1	ACTUATOR SEAL
9	5106-4-1	2	CYLINDER CAP
10	5106-7-1	1	ACTUATING PISTON
11	5106-5-1	1	BUSHING
12	5106-6-1	4	MOUNTING SCREW
13	5102-2-1	1	SCREW - TRIGGER

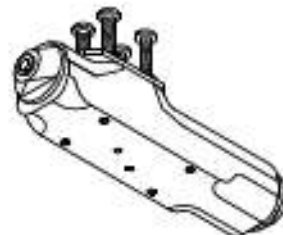
Actuator Assembly 58604-1

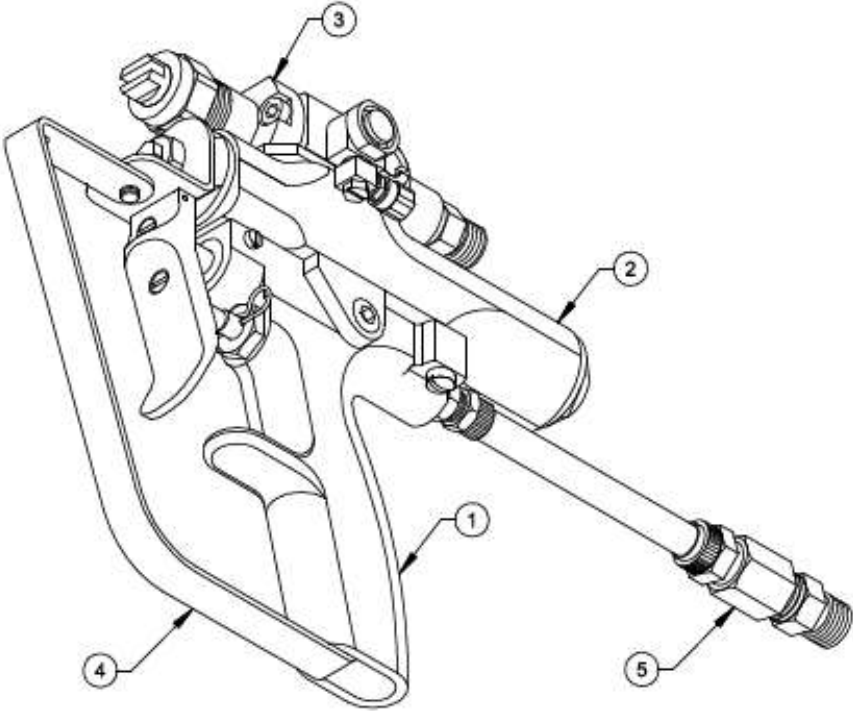
ITEM	PART NO.	QTY	DESCRIPTION
3	7701-4-6	1	HEX HEAD PLUG

Actuator Assembly w/ Signal 58604-1-S

ITEM	PART NO.	QTY	DESCRIPTION
14	7701-6-3	1	BARBED FITTING
15	7701-6-1	1	ELBOW

FIGURE 1-1





**MAGNUM VENUS PRODUCTS**

Classic Pro Gun Assembly - Wet out	CPG-1000-W
------------------------------------	------------

REV. - DWG WAS SHIP-3 5/1/05  
REV. A\*\* ADDED ITEM 5 (606-1-03) 2/20/06 -JEM

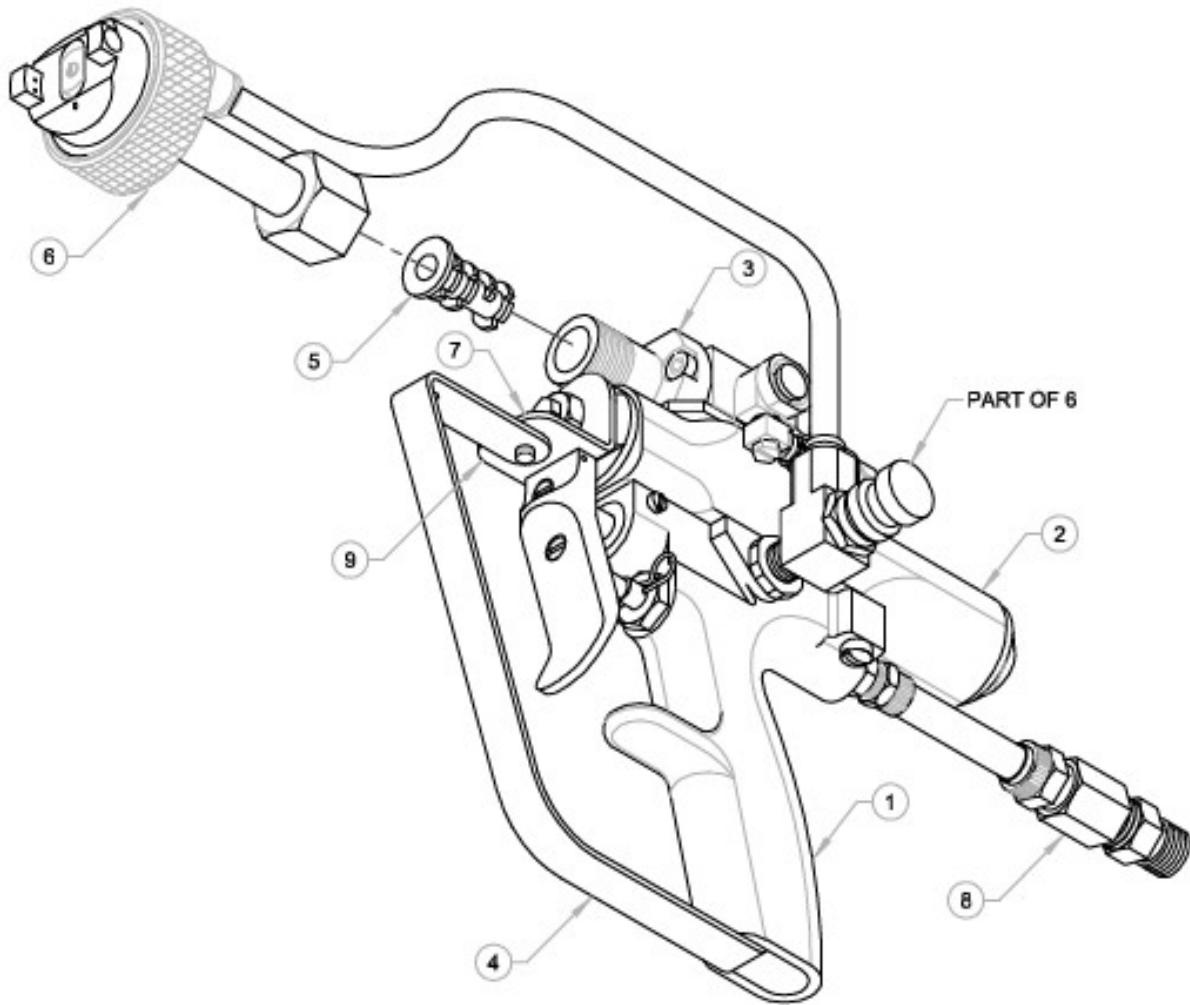
Classic Pro Gun Assembly - Wetout CPR-1000-W

**PARTS LIST**

ITEM	PART NO.	QTY	DESCRIPTION
1	58603-3	1	CHOPPER GUN HANDLE ASSEMBLY
2	58604-1	1	GUN ACTUATOR ASSEMBLY
3	58602	1	GUN BLOCK ASSEMBLY
4	58676-1	1	TRIGGER GUARD ASSEMBLY
5	6506-1-0.5	1	POLY AIR WHIP ASSEMBLY

**REPAIR KITS**

PART NO.	DESCRIPTION
58666-1	MAJOR REPAIR KIT - PRO GUN



## MAGNUM VENUS PRODUCTS

Pro Gelcoat Gun  
Pro Gelcoat Gun W/Signal

CPG-1000  
CPG-1000-S

REV. - 09/26/05 BT2  
REV. A - ADDED ITEM 8 (5506-1-0.5) 2/2/06 JEM  
REV. B - ITEM 4 WAS 55676-1, MOVED TO OPTIONAL ASSEMBLIES, ADDED ITEMS 7 AND 9 07/12/06 BT2  
REV. C - ITEM 8 WAS 6504-1-0.5 03/27/16 BT2

Pro Gelcoat Gun Assembly CPG-1000  
 Pro Gelcoat Gun Assembly CPG-1000-S

**REPAIR KITS**

PART NO.	DESCRIPTION
58666-1	MAJOR REPAIR KIT - PRO GUN

**COMMON PARTS LIST**

ITEM	PART NO.	QTY	DESCRIPTION
1	58603-3	1	GUN HANDLE ASSEMBLY
3	5104-00-01	1	GUN BLOCK ASSEMBLY
4	58670-1	1	TRIGGER GUARD
5	5107-27-2	1	TURBULENT MIXER
6	VPA-1000	1	AIR ASSIST ASSEMBLY
7	02806-2	1	SCREW
8	6506-1-0.5	1	POLY AIR WHIP ASSY
9	58671-1	1	DRIP SHIELD

**CPG-1000**

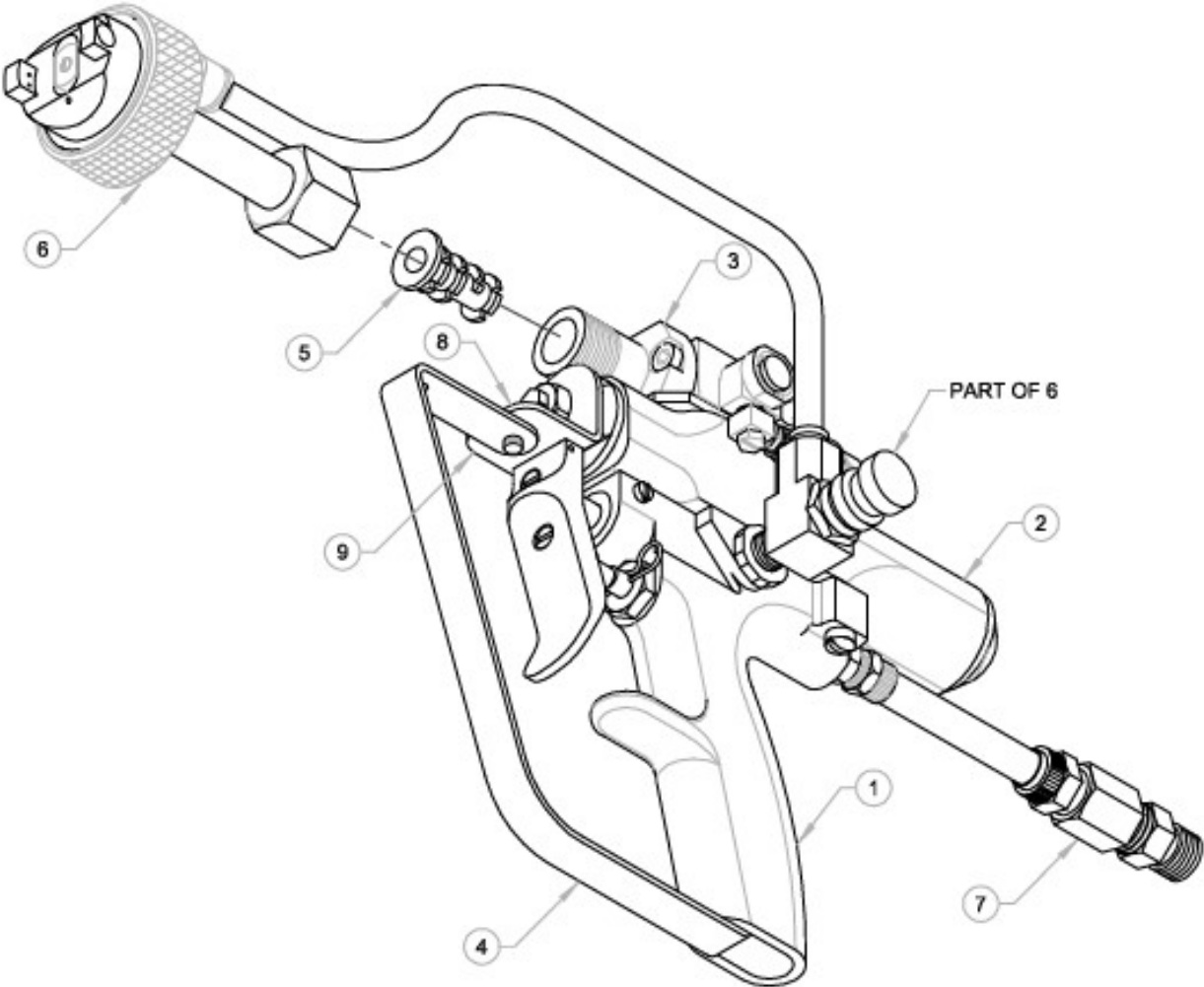
ITEM	PART NO.	QTY	DESCRIPTION
2	58604-1	1	GUN ACTUATOR ASSEMBLY

**CPG-1000-S**

ITEM	PART NO.	QTY	DESCRIPTION
2	58604-1-S	1	GUN ACTUATOR ASSEMBLY

**OPTIONAL PARTS AND ASSEMBLIES**

PART NO.	DESCRIPTION
58676-1	TRIGGER GUARD ASSEMBLY



# MAGNUM VENUS PRODUCTS

Pro Gelcoat Gun (International)	CPG-1000-INT
Pro Gelcoat Gun W/Signal (International)	CPG-1000-S-INT

REV. - 09/26/05 BT2  
REV. A = ADDED ITEM 7 (6506-1-0.5) 2/2/06 JEM  
REV. B = ITEM 4 WAS 58876-1, MOVED TO OPTIONAL ASSEMBLIES, ADDED ITEMS 8 AND 9 07/12/06 BT2  
REV. C = ITEM 7 WAS 6504-1-0.5 03/27/19 BT2

Pro Gelcoat Gun Assembly CPG-1000-INT  
 Pro Gelcoat Gun Assembly CPG-1000-S-INT

**REPAIR KITS**

PART NO. DESCRIPTION  
 58666-1-INT MAJOR REPAIR KIT - PRO GUN

**COMMON PARTS LIST**

ITEM	PART NO.	QTY	DESCRIPTION
1	58603-3	1	GUN HANDLE ASSEMBLY
3	5104-00-01-INT	1	GUN BLOCK ASSEMBLY
4	58670-1	1	TRIGGER GUARD
5	5107-27-2	1	TURBULENT MIXER
6	VPA-1000	1	AIR ASSIST ASSEMBLY
7	6506-1-0.5	1	POLY AIR WHIP ASSY
8	02806-2	1	SCREW
9	58671-1	1	DRIP SHIELD

**CPG-1000-INT**

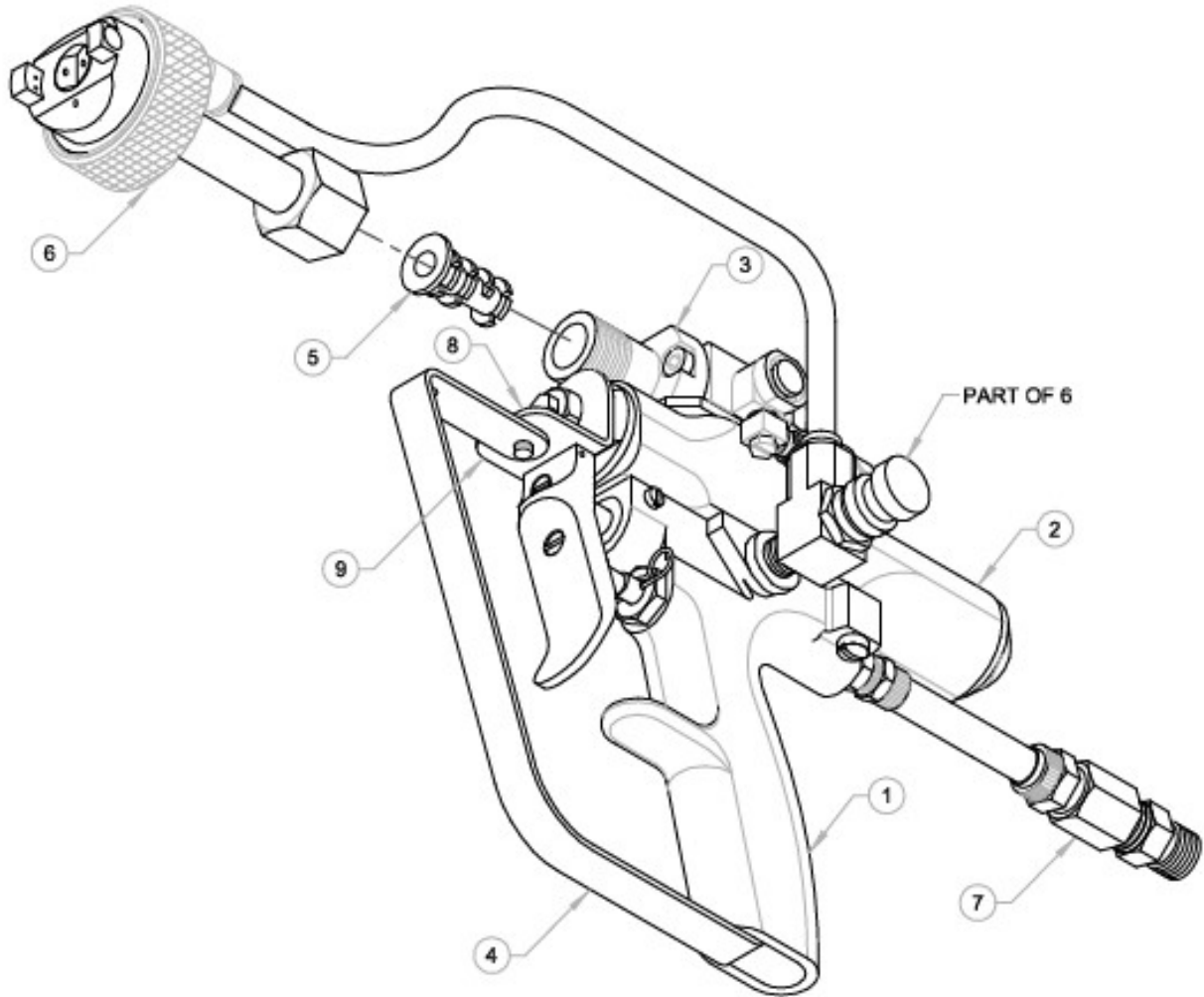
ITEM	PART NO.	QTY	DESCRIPTION
2	58604-1	1	GUN ACTUATOR ASSEMBLY

**CPG-1000-S-INT**

ITEM	PART NO.	QTY	DESCRIPTION
2	58604-1-S	1	GUN ACTUATOR ASSEMBLY

**OPTIONAL PARTS AND ASSEMBLIES**

PART NO.	DESCRIPTION
58676-1	TRIGGER GUARD ASSEMBLY



## MAGNUM VENUS PRODUCTS

Pro Gelcoat Gun  
Pro Gelcoat Gun W/Signal

CPG-2000  
CPG-2000-S

REV. - 09/26/05 BT2  
REV. A - ADDED ITEM 7 (6506-1-0.5) 2/2/06 JEM  
REV. B - ITEM 4 WAS 58678-1, MOVE TO OPTIONAL ASSEMBLIES, ADDED ITEMS 8 AND 9 07/12/08 BT2  
REV. C - ITEM 7 WAS 6504-1-0.5 03/28/18 BT2

Pro Gelcoat Gun Assembly CPG-2000  
 Pro Gelcoat Gun Assembly CPG-2000-S

**COMMON PARTS LIST**

ITEM	PART NO.	QTY	DESCRIPTION
1	58603-3	1	GUN HANDLE ASSEMBLY
3	5104-00-01	1	GUN BLOCK ASSEMBLY
4	58670-1	1	TRIGGER GUARD
5	5107-27-2	1	TURBULENT MIXER
6	VPA-1000-VFIT	1	AIR ASSIST ASSEMBLY
7	6506-1-0.5	1	POLY AIR WHIP ASSY
8	02806-1	1	SCREW
9	58671-1	1	DRIP SHIELD

**CPG-2000**

ITEM	PART NO.	QTY	DESCRIPTION
2	58604-1	1	GUN ACTUATOR ASSEMBLY

**CPG-2000-S**

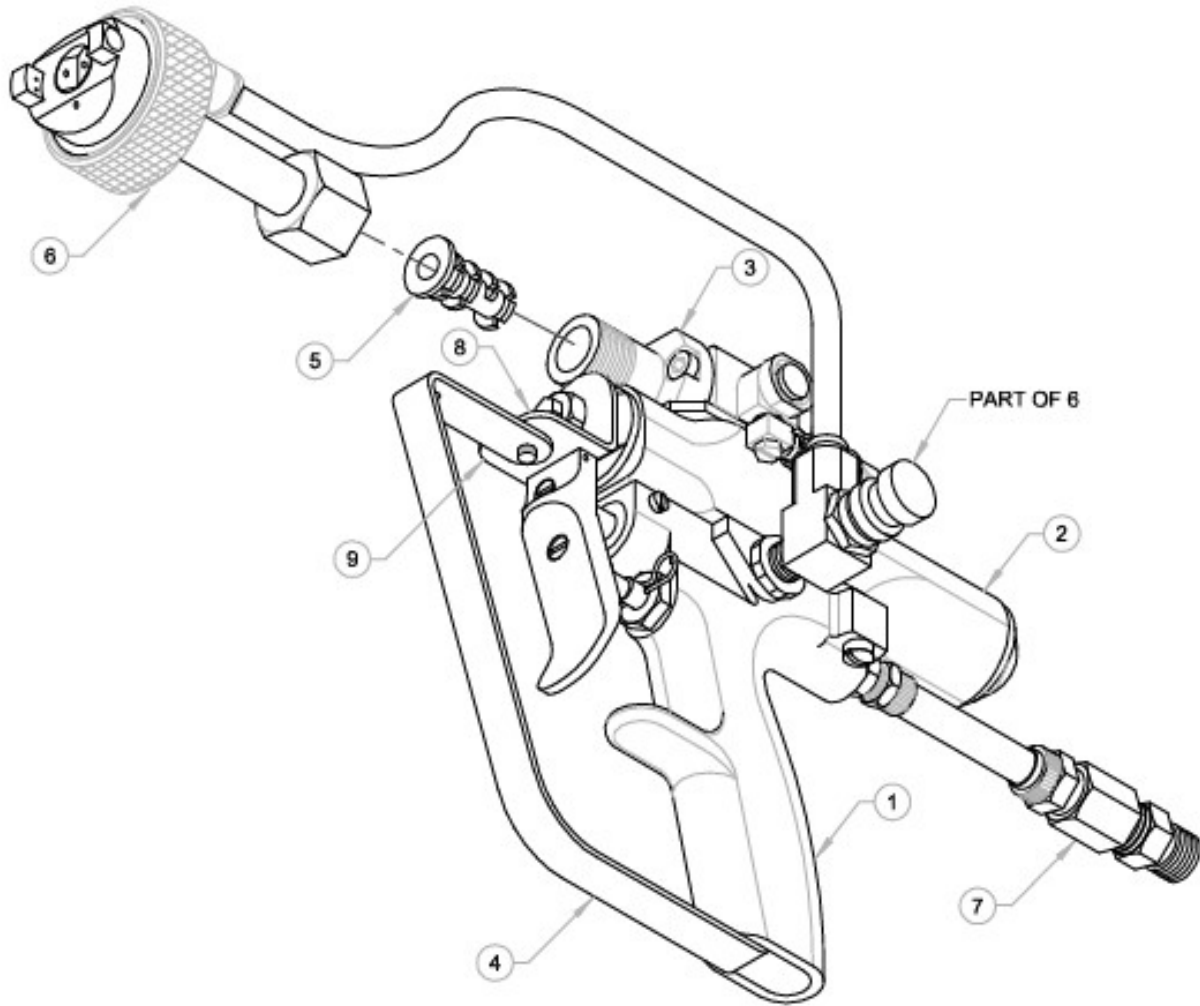
ITEM	PART NO.	QTY	DESCRIPTION
2	58604-1-S	1	GUN ACTUATOR ASSEMBLY

**OPTIONAL PARTS AND ASSEMBLIES**

PART NO.	DESCRIPTION
58676-1	TRIGGER GUARD ASSEMBLY

**REPAIR KITS**

PART NO.	DESCRIPTION
58666-1	MAJOR REPAIR KIT - PRO GUN



## MAGNUM VENUS PRODUCTS

Pro Gelcoat Gun (International)  
Pro Gelcoat Gun W/Signal (International)

CPG-2000-INT  
CPG-2000-S-INT

REV. - 09/28/05 BT2  
REV. A - ADDED ITEM 7 (6506-1-0.5) 2/2/06 JEM  
REV. B - ITEM 4 WAS 58676-1, MOVED TO OPTIONAL ASSEMBLIES, ADDED ITEMS 8 AND 9 07/12/05 BT2  
REV. C = ITEM 7 WAS 6504-1-0.5 03/28/18 BT2

Pro Gelcoat Gun Assembly CPG-2000-INT  
 Pro Gelcoat Gun Assembly CPG-2000-S-INT

**REPAIR KITS**

PART NO. DESCRIPTION  
 58666-1-INT MAJOR REPAIR KIT - PRO GUN

**COMMON PARTS LIST**

ITEM	PART NO.	QTY	DESCRIPTION
1	58603-3	1	GUN HANDLE ASSEMBLY
3	5104-00-01-INT	1	GUN BLOCK ASSEMBLY
4	58670-1	1	TRIGGER GUARD
5	5107-27-2	1	TURBULENT MIXER
6	VPA-1000-VFIT	1	AIR ASSIST ASSEMBLY
7	6506-1-0.5	1	POLY AIR WHIP ASSY
8	02806-2	1	SCREW
9	58671-1	1	DRIP SHIELD

**CPG-2000-INT**

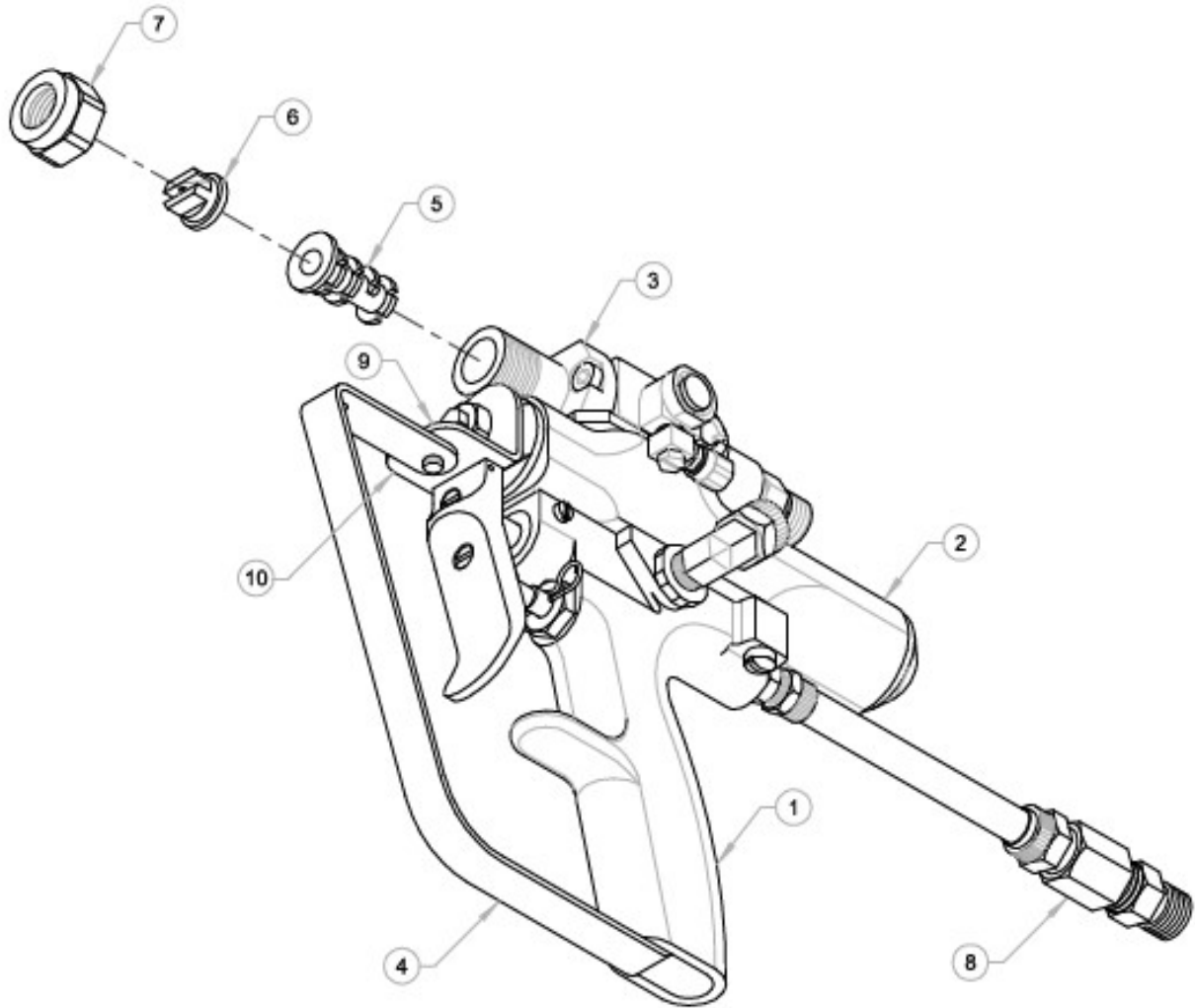
ITEM	PART NO.	QTY	DESCRIPTION
2	58604-1	1	GUN ACTUATOR ASSEMBLY

**CPG-2000-S-INT**

ITEM	PART NO.	QTY	DESCRIPTION
2	58604-1-S	1	GUN ACTUATOR ASSEMBLY

**OPTIONAL PARTS AND ASSEMBLIES**

PART NO.	DESCRIPTION
58676-1	TRIGGER GUARD ASSEMBLY



## MAGNUM VENUS PRODUCTS

Pro Chopper Gun  
Pro Chopper Gun W/Signal

CPC-1000  
CPC-1000-S

REV. A = ADDED ITEM 8 (6506-1-0.5) 2/2/06 JEM  
REV. B = ITEM 4 WAS 58676-1, MOVED TO OPTIONAL ASSEMBLIES, ADDED ITEMS 9 AND 10 07-12-06 BT2  
REV. C = ITEM 6 WAS T-002552C 10-05-15 BT2

Pro Chopper Gun           CPC-1000  
 Pro Chopper W/Signal    CPC-1000-S

**COMMON PARTS LIST**

ITEM	PART NO.	QTY	DESCRIPTION
1	58603-1	1	CHOPPER GUN HANDLE ASSEMBLY
3	5104-00-01	1	GUN BLOCK ASSEMBLY
4	58670-1	1	TRIGGER GUARD
5	5107-27-3	1	STANDARD TURBULENT MIXER
6	FT-552	1	FLAT TIP
7	8704-4-1	1	NOZZLE CAP
8	6506-1-0.5	1	POLY AIR WHIP ASSY
9	02806-2	1	SCREW
10	58671-1	1	DRIP SHIELD

**REPAIR KITS**

PART NO.	DESCRIPTION
58666-1	MAJOR REPAIR KIT - PRO GUN

**CPC-1000**

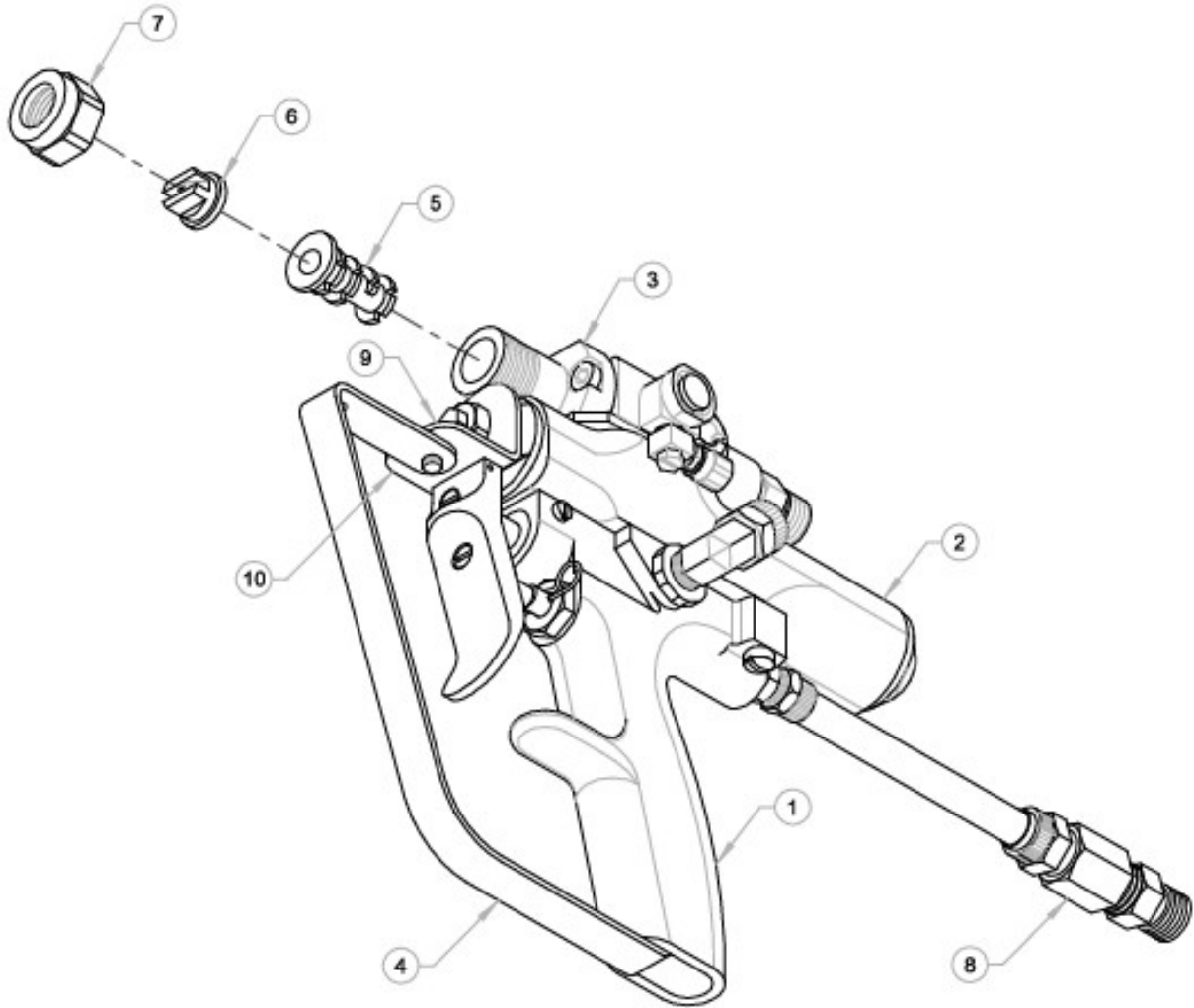
ITEM	PART NO.	QTY	DESCRIPTION
2	58604-1	1	GUN ACTUATOR ASSEMBLY

**CPC-1000-S**

ITEM	PART NO.	QTY	DESCRIPTION
2	58604-1-S	1	GUN ACTUATOR ASSEMBLY

**OPTIONAL PARTS AND ASSEMBLIES**

PART NO.	DESCRIPTION
58676-1	TRIGGER GUARD ASSEMBLY



## MAGNUM VENUS PRODUCTS

Pro Chopper Gun (International)  
Pro Chopper Gun W/Signal (International)

CPC-1000-INT  
CPC-1000-S-INT

REV. A = ADDED ITEM 8 (6506-1-0.5) 2/2/06 JEM  
REV. B = ITEM 4 WAS 58676-1, MOVED TO OPTIONAL ASSEMBLIES, ADDED ITEMS 9 AND 10 07/12/06 BT2  
REV. C = ITEM 6 WAS T-002552C 10/05/15 BT2

Pro Chopper Gun                   CPC-1000-INT  
 Pro Chopper W/Signal       CPC-1000-S-INT

**COMMON PARTS LIST**

ITEM	PART NO.	QTY	DESCRIPTION
1	58603-1	1	CHOPPER GUN HANDLE ASSEMBLY
3	5104-00-01-INT	1	GUN BLOCK ASSEMBLY
4	58670-1	1	TRIGGER GUARD
5	5107-27-3	1	STANDARD TURBULENT MIXER
6	FT-552	1	FLAT TIP
7	8704-4-1	1	NOZZLE CAP
8	6506-1-0.5	1	POLY AIR WHIP ASSY
9	02806-2	1	SCREW
10	58671-1	1	DRIP SHIELD

**REPAIR KITS**

PART NO.	DESCRIPTION
58666-1-INT	MAJOR REPAIR KIT - PRO GUN

**CPC-1000-INT**

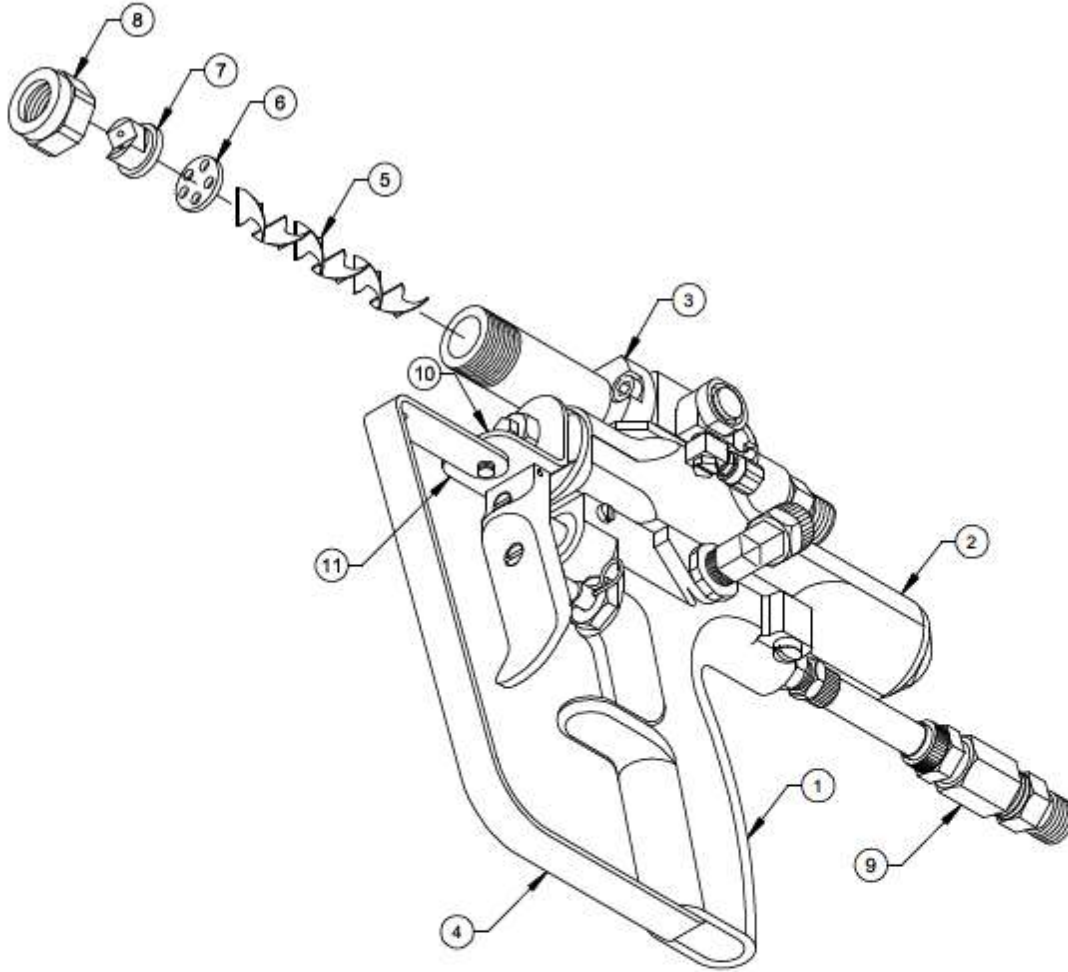
ITEM	PART NO.	QTY	DESCRIPTION
2	58604-1	1	GUN ACTUATOR ASSEMBLY

**CPC-1000-S-INT**

ITEM	PART NO.	QTY	DESCRIPTION
2	58604-1-S	1	GUN ACTUATOR ASSEMBLY

**OPTIONAL PARTS AND ASSEMBLIES**

PART NO.	DESCRIPTION
58676-1	TRIGGER GUARD ASSEMBLY



## MAGNUM VENUS PRODUCTS

Pro Chopper Gun	CPC-2000
Pro Filled Chopper Gun	CPC-2000-F
Pro Chopper Gun W/Signal	CPC-2000-S
Pro Filled Chopper Gun W/Signal	CPC-2000-F-S

REV. - 09/16/05

REV. A = ADDED ITEM 9 (6506-1-0.5) 2/2/06 JEM

REV. B = ITEM 4 WAS 58676-1, MOVED TO OPTIONAL ASSEMBLIES, ADDED ITEMS 10 AND 11 07/11/06 BT2

Pro Chopper Gun	CPC-2000
Pro Filled Chopper Gun	CPC-2000-F
Pro Chopper W/Signal	CPC-2000-S
Pro Filled Chopper W/Signal	CPC-2000-F-S

**REPAIR KITS**

PART NO.	DESCRIPTION
CPC-2000-RK	MAJOR REPAIR KIT - PRO GUN

**COMMON PARTS LIST**

ITEM	PART NO.	QTY	DESCRIPTION
1	58603-1	1	CHOPPER GUN HANDLE ASSEMBLY
4	58670-1	1	TRIGGER GUARD
5	VPG-1003	1	STATIC MIXER
6	VPG-1002	1	DIFFUSER
7	VFIT-6025	1	FIT NOZZLE
8	8704-4-1	1	NOZZLE CAP
9	6506-1-0.5	1	POLY AIR WHIP ASSY
10	02806-2	1	SCREW
11	58671-1	1	DRIP SHIELD

**CPC-2000**

ITEM	PART NO.	QTY	DESCRIPTION
2	58604-1	1	GUN ACTUATOR ASSEMBLY
3	VFTC-4100	1	GUN BLOCK ASSEMBLY

**CPC-2000-F**

ITEM	PART NO.	QTY	DESCRIPTION
2	58604-1	1	GUN ACTUATOR ASSEMBLY
3	VFTC-4100-F	1	GUN BLOCK ASSEMBLY

**CPC-2000-S**

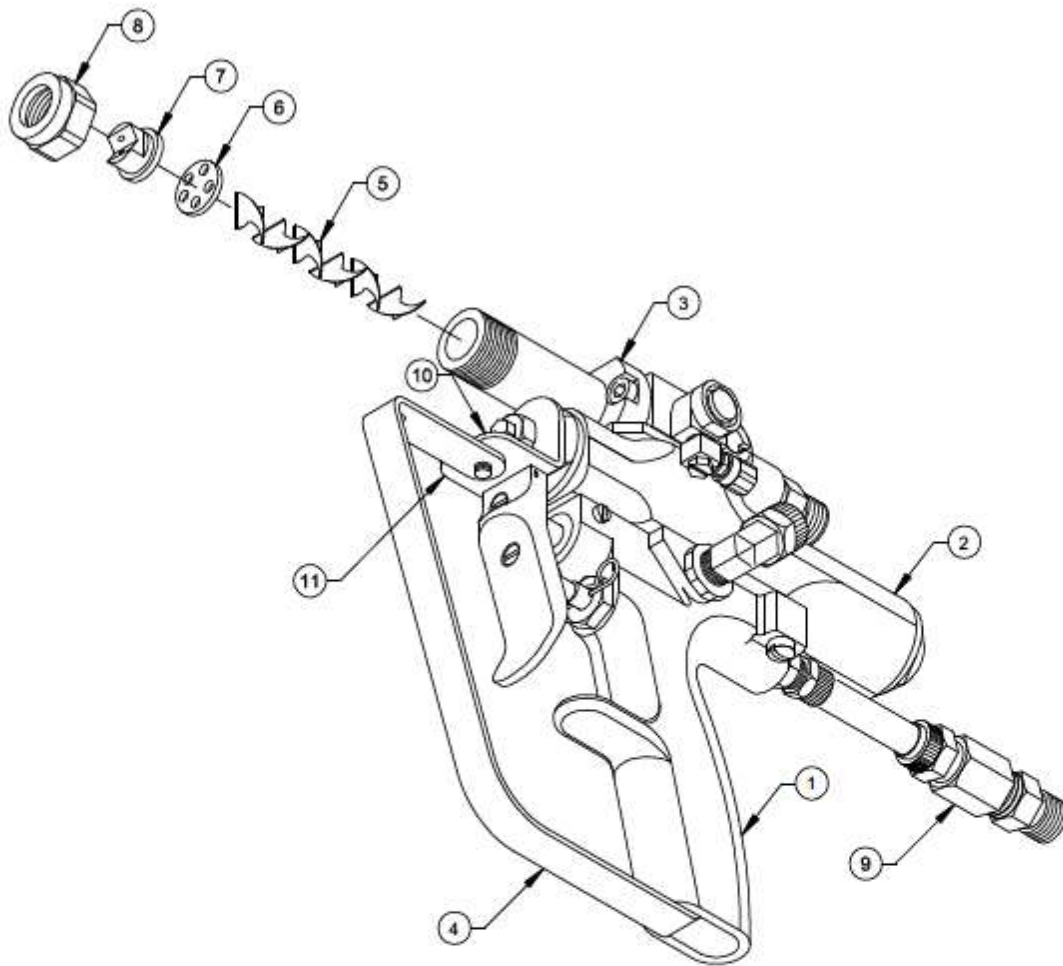
ITEM	PART NO.	QTY	DESCRIPTION
2	58604-1-S	1	GUN ACTUATOR ASSEMBLY
3	VFTC-4100	1	GUN BLOCK ASSEMBLY

**CPC-2000-F-S**

ITEM	PART NO.	QTY	DESCRIPTION
2	58604-1-S	1	GUN ACTUATOR ASSEMBLY
3	VFTC-4100-F	1	GUN BLOCK ASSEMBLY

**OPTIONAL PARTS AND ASSEMBLIES**

PART NO.	DESCRIPTION
58676-1	TRIGGER GUARD ASSEMBLY



## MAGNUM VENUS PRODUCTS

Pro Chopper Gun  
Pro Filled Chopper Gun  
Pro Chopper Gun W/Signal  
Pro Filled Chopper Gun W/Signal

CPC-2000-INT  
CPC-2000-F-INT  
CPC-2000-S-INT  
CPC-2000-F-S-INT

REV. - 09/16/05  
REV. A = ADDED ITEM 9 (6506-1-0.5) 2/2/06 JEM  
REV. B = ITEM 4 WAS 58676-1, MOVED TO OPTIONAL EQUIPMENT, ADDED 10 AND 11 07-11-06 BT2

Pro Chopper Gun	CPC-2000-INT
Pro Filled Chopper Gun	CPC-2000-F-INT
Pro Chopper W/Signal	CPC-2000-S-INT
Pro Filled Chopper W/Signal	CPC-2000-F-S-INT

**REPAIR KITS**

PART NO.	DESCRIPTION
CPC-2000-RK-INT	MAJOR REPAIR KIT - PRO GUN

**COMMON PARTS LIST**

ITEM	PART NO.	QTY	DESCRIPTION
1	58603-1	1	CHOPPER GUN HANDLE ASSEMBLY
4	58670-1	1	TRIGGER GUARD
5	VPG-1003	1	STATIC MIXER
6	VPG-1002	1	DIFFUSER
7	VFIT-6025	1	FIT NOZZLE
8	8704-4-1	1	NOZZLE CAP
9	6506-1-0.5	1	POLY AIR WHIP ASSY
10	02806-2	1	SCREW
11	58671-1	1	DRIP SHIELD

**CPC-2000-INT**

ITEM	PART NO.	QTY	DESCRIPTION
2	58604-1	1	GUN ACTUATOR ASSEMBLY
3	VFTC-4100-INT	1	GUN BLOCK ASSEMBLY

**CPC-2000-F-INT**

ITEM	PART NO.	QTY	DESCRIPTION
2	58604-1	1	GUN ACTUATOR ASSEMBLY
3	VFTC-4100-F-INT	1	GUN BLOCK ASSEMBLY

**CPC-2000-S-INT**

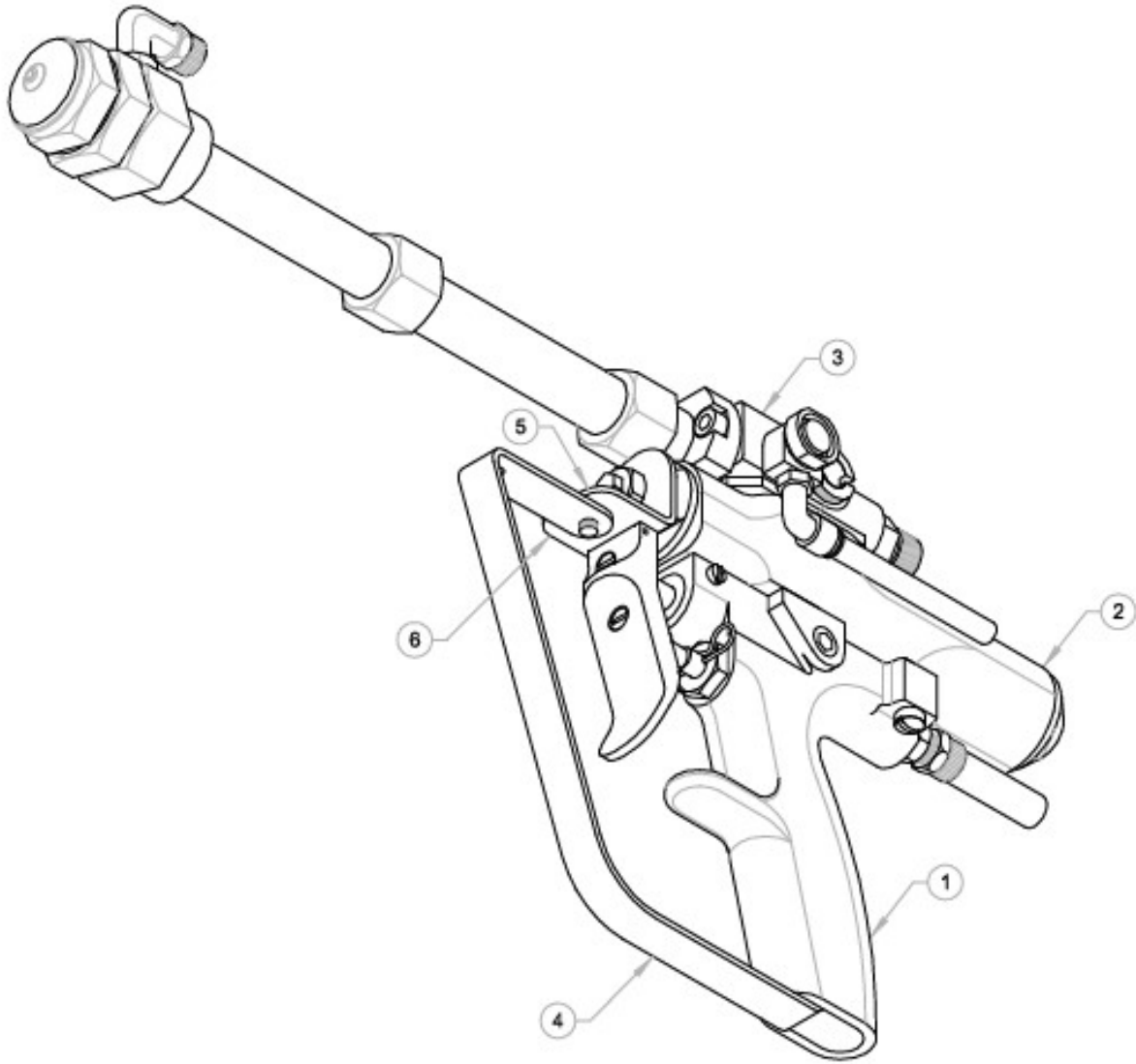
ITEM	PART NO.	QTY	DESCRIPTION
2	58604-1-S	1	GUN ACTUATOR ASSEMBLY
3	VFTC-4100-INT	1	GUN BLOCK ASSEMBLY

**CPC-2000-F-S-INT**

ITEM	PART NO.	QTY	DESCRIPTION
2	58604-1-S	1	GUN ACTUATOR ASSEMBLY
3	VFTC-4100-F-INT	1	GUN BLOCK ASSEMBLY

**OPTIONAL PARTS AND ASSEMBLIES**

PART NO.	DESCRIPTION
58676-1	TRIGGER GUARD ASSEMBLY



## MAGNUM VENUS PLASTECH

Putty Gun Assembly - MEKP

CPP-3000

REV. - 04-13-07 BT2  
REV. A - ADDED REPAIR KIT 08-01-10 BT2

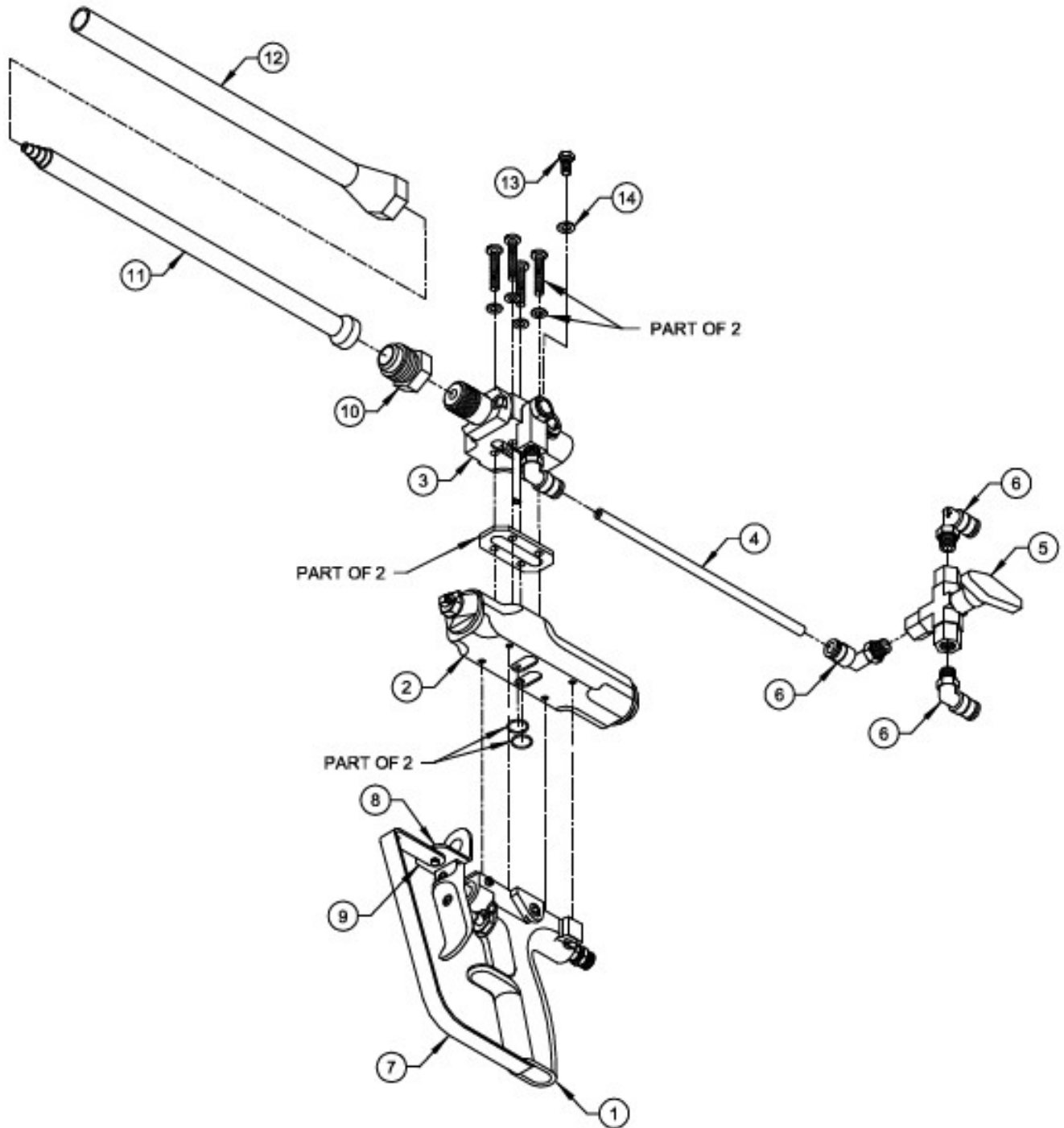
**PUTTY GUN ASSEMBLY - MEKP CPP-3000**

**PARTS LIST**

ITEM	PART NO.	QTY	DESCRIPTION
1	58603-3	1	GELCOAT HANDLE ASSEMBLY
2	58604-1	1	ACTUATOR ASSEMBLY
3	58756-1	1	GUN BLOCK ASSEMBLY
4	58670-1	1	TRIGGER GUARD
5	02806-2	1	SCREW
6	58671-1	1	DRIP SHIELD

**REPAIR KIT**

PART NO.	DESCRIPTION
CPP-3000-RK	REPAIR KIT



## MAGNUM VENUS PLASTECH

Pro Putty Gun with Mixer

CPP-6000

REV. - 02/08/08 BT2  
REV. A - ADDED ITEMS 10, 11, 12, 13, AND 14 03/13/08 BT2

**Pro Putty Gun Assembly CPP-6000**

**PARTS LIST**

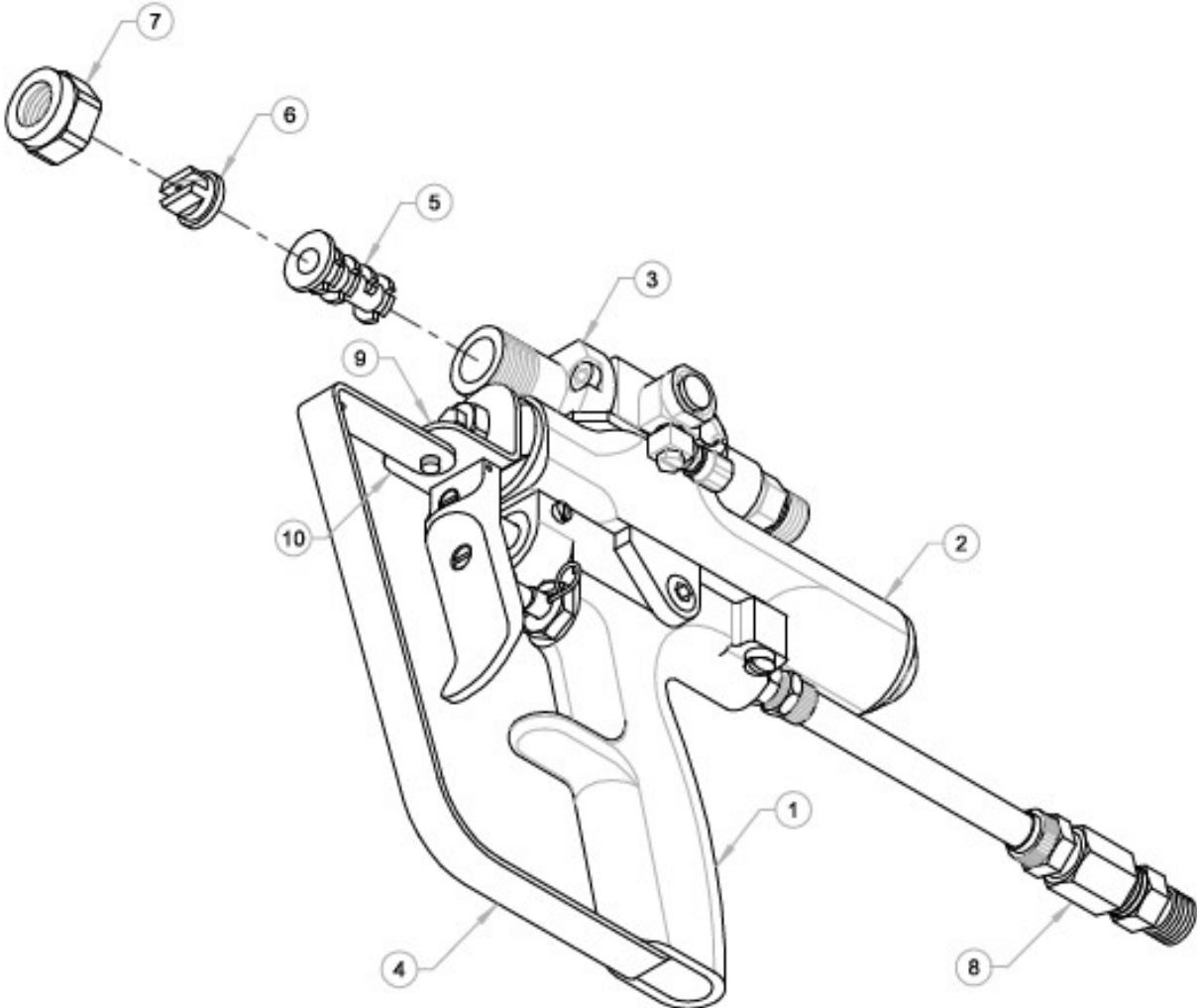
ITEM	PART NO.	QTY	DESCRIPTION
1	58603-3	1	GUN HANDLE
2	58604-1-S	1	ACTUATOR ASSEMBLY
3	CPP-6100	1	GUN BLOCK ASSEMBLY
4	01443	2 FT.	POLY TUBE
5	8407-6-1	1	BALL VALVE
6	MPH-2539	3	POLY ELBOW
7	58670-1	1	TRIGGER GUARD
8	02806-2	1	SCREW
9	58671-1	1	DRIP SHIELD
10	07552	1	FEMALE GUN ADAPTER
11	07550	1	MIXER
12	04409	1	MIXER HOUSING
13	F-HB-04C-08	1	HEX BOLT
14	F-SW-04	1	LOCK WASHER

**REPAIR KITS**

PART NO.	DESCRIPTION
CPP-6000-RK	MAJOR REPAIR KIT

**OPTIONAL PARTS AND ASSEMBLIES**

PART NO.	DESCRIPTION
58676-1	TRIGGER GUARD ASSEMBLY
52301-1	MIXER ASSEMBLY (INCLUDES 10, 11, & 12)



# MAGNUM VENUS PRODUCTS

Pro Wetout Gun	CPW-1000
Pro Wetout Gun W/Signal	CPW-1000-S

REV. - 11/08/05 BT2  
REV. A = ADDED ITEM 8 (3506-1-0.5) 2/2/06 JEM  
REV. B = ITEM 4 WAS 58676-1, MOVED TO OPTIONAL ASSEMBLIES, ADDED ITEMS 9 AND 10 07/12/06 BT2  
REV. C = ITEM 8 WAS 6504-1-0.5 03/28/18 BT2

Pro Wetout Gun CPW-1000  
 Pro Wetout Gun W/Signal CPW-1000-S

**REPAIR KITS**

PART NO.	DESCRIPTION
58666-1	MAJOR REPAIR KIT - PRO GUN

**PARTS LIST**

ITEM	PART NO.	QTY	DESCRIPTION
1	58603-3	1	GEL GUN HANDLE ASSEMBLY
3	5104-00-01	1	GUN BLOCK ASSEMBLY
4	58670-1	1	TRIGGER GUARD
5	5107-27-3	1	TURBULENT MIXER
6	T-002552C	1	SPRAY NOZZLE
7	8704-4-1	1	NOZZLE CAP
8	6506-1-0.5	1	POLY AIR WHIP ASSY
9	02806-2	1	SCREW
10	58671-1	1	DRIP SHIELD

**CPW-1000**

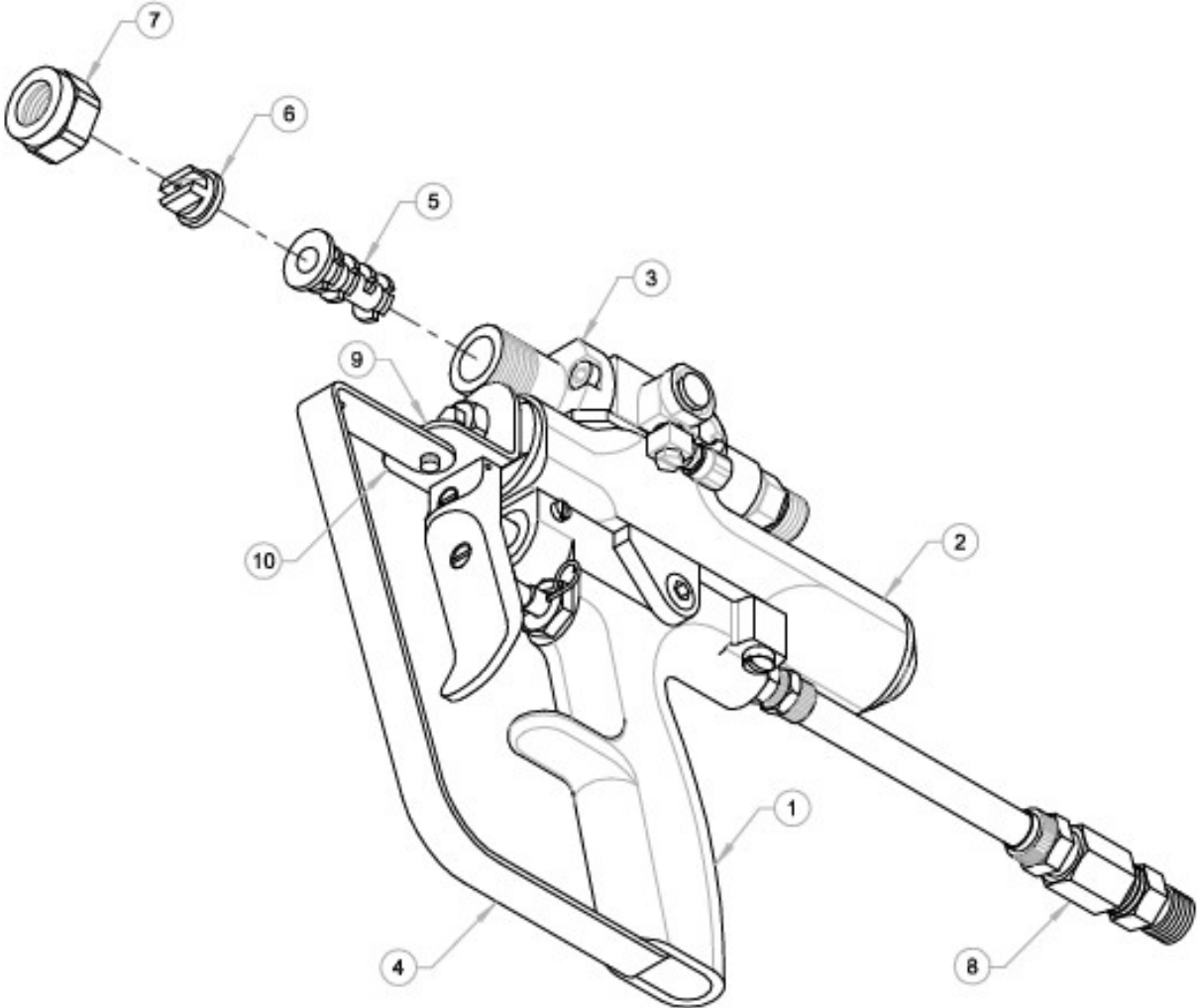
ITEM	PART NO.	QTY	DESCRIPTION
2	58604-1	1	GUN ACTUATOR ASSEMBLY

**CPW-1000-S**

ITEM	PART NO.	QTY	DESCRIPTION
2	58604-1-S	1	GUN ACTUATOR ASSEMBLY

**OPTIONAL PARTS AND ASSEMBLIES**

PART NO.	DESCRIPTION
58676-1	TRIGGER GUARD ASSEMBLY



# MAGNUM VENUS PRODUCTS

Pro Wetout Gun (International)	CPW-1000-INT
Pro Wetout Gun W/Signal (International)	CPW-1000-S-INT

REV. - 11/08/05 BT2  
REV. A - ADDED ITEM 8 (6506-1-0.5) 2/2/08 JEM  
REV. B - ITEM 4 WAS 58676-1, MOVED TO OPTIONAL ASSEMBLIES, ADDED ITEMS 9 AND 10 07/12/05 BT2  
REV. C - ITEM 8 WAS 6504-1-0.5 03/28/18 BT2

Pro Wetout Gun CPW-1000-INT  
 Pro Wetout Gun W/Signal CPW-1000-S-INT

**REPAIR KITS**

PART NO.	DESCRIPTION
58666-1-INT	MAJOR REPAIR KIT - PRO GUN

**PARTS LIST**

ITEM	PART NO.	QTY	DESCRIPTION
1	58603-3	1	GEL GUN HANDLE ASSEMBLY
3	5104-00-01-INT	1	GUN BLOCK ASSEMBLY
4	58670-1	1	TRIGGER GUARD
5	5107-27-3	1	TURBULENT MIXER
6	T-002552C	1	SPRAY NOZZLE
7	8704-4-1	1	NOZZLE CAP
8	6506-1-0.5	1	POLY AIR WHIP ASSY
9	02806-2	1	SCREW
10	58671-1	1	DRIP SHIELD

**CPW-1000-INT**

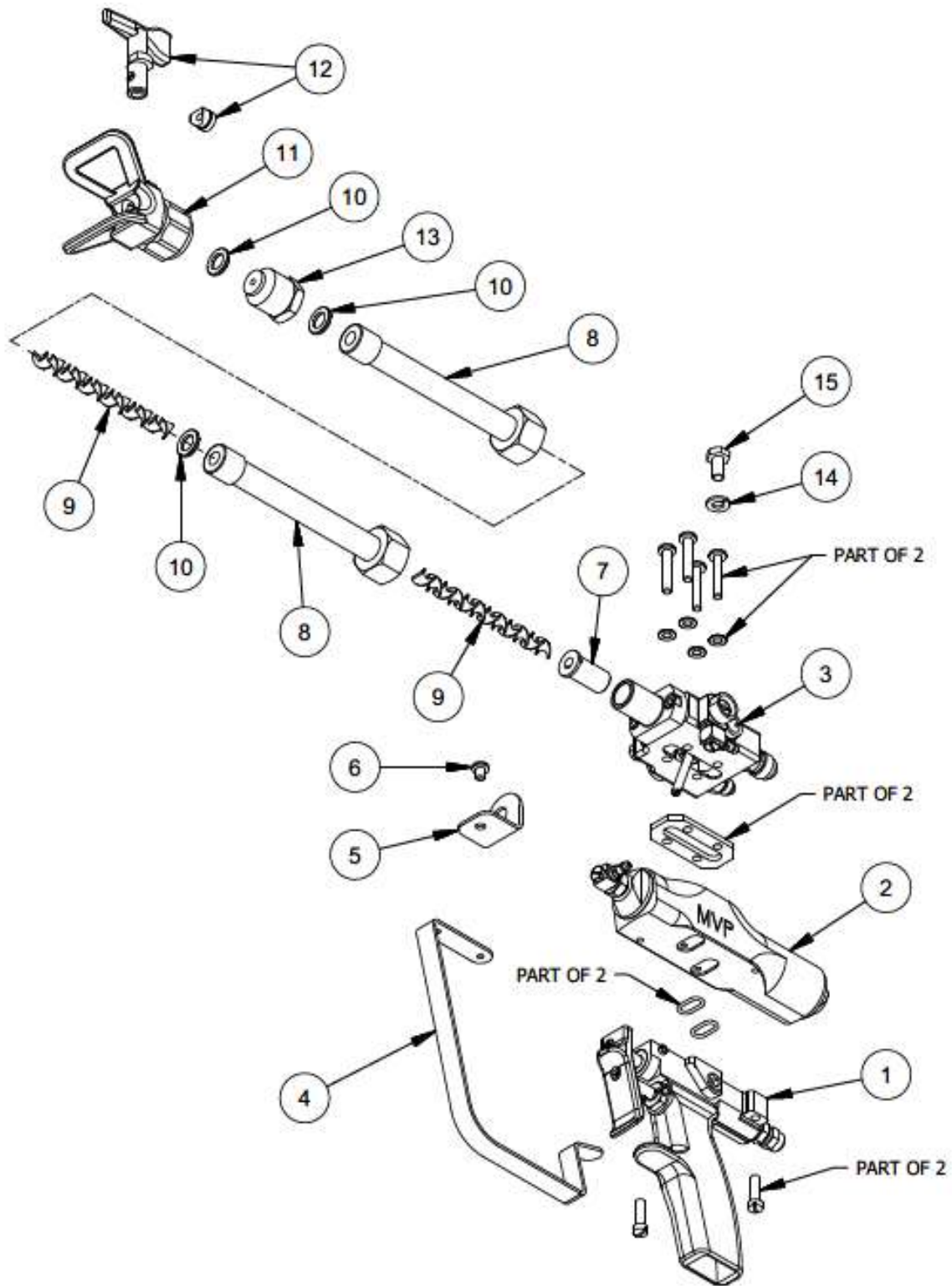
ITEM	PART NO.	QTY	DESCRIPTION
2	58604-1	1	GUN ACTUATOR ASSEMBLY

**CPW-1000-S-INT**

ITEM	PART NO.	QTY	DESCRIPTION
2	58604-1-S	1	GUN ACTUATOR ASSEMBLY

**OPTIONAL PARTS AND ASSEMBLIES**

PART NO.	DESCRIPTION
58676-1	TRIGGER GUARD ASSEMBLY



# MAGNUM VENUS PRODUCTS

SYNTACTIC BARRIER COAT GUN

CPW-1000-SBC

REV: A 07/19/2017

SHEET 1 / 2

6/29/2015



Parts List			
ITEM	PART NUMBER	QTY	DESCRIPTION
1	58603-3	1	CLASSIC PRO HANDLE ASSY. - GEL
2	58604-1-S	1	GUN ACTUATOR ASSY
3	CPW-1100-SBC	1	GUN HEAD ASSEMBLY
4	58670-1	1	TRIGGER GUARD
5	58671-1	1	DRIP SHIELD
6	02806-2	1	10-24 PAN HEAD SCREW
7	CPP-6107	1	MIXER HOUSING REDUCER
8	50056-1	2	STATIC MIXER HOUSING .375D X 4.00L
9	05244	2	STATIC MIXER ELEMENT .375D X 4.00L
10	02030-1	3	MIX HOUSHING SEAL-PLUG SEAL
11	237859	1	TIP HOUSING
12	XHD525	1	TIP AND SEAL
13	181085	1	ADAPTER
14	F-SW-04	1	LOCK WASHER
15	F-HB-04C-08	1	HEX BOLT

REPAIR KIT

CPW-1000-SBC-RK - INCLUDES PARTS FROM THE CPW-1100-SBC, 58603-3, AND 58604-1-S

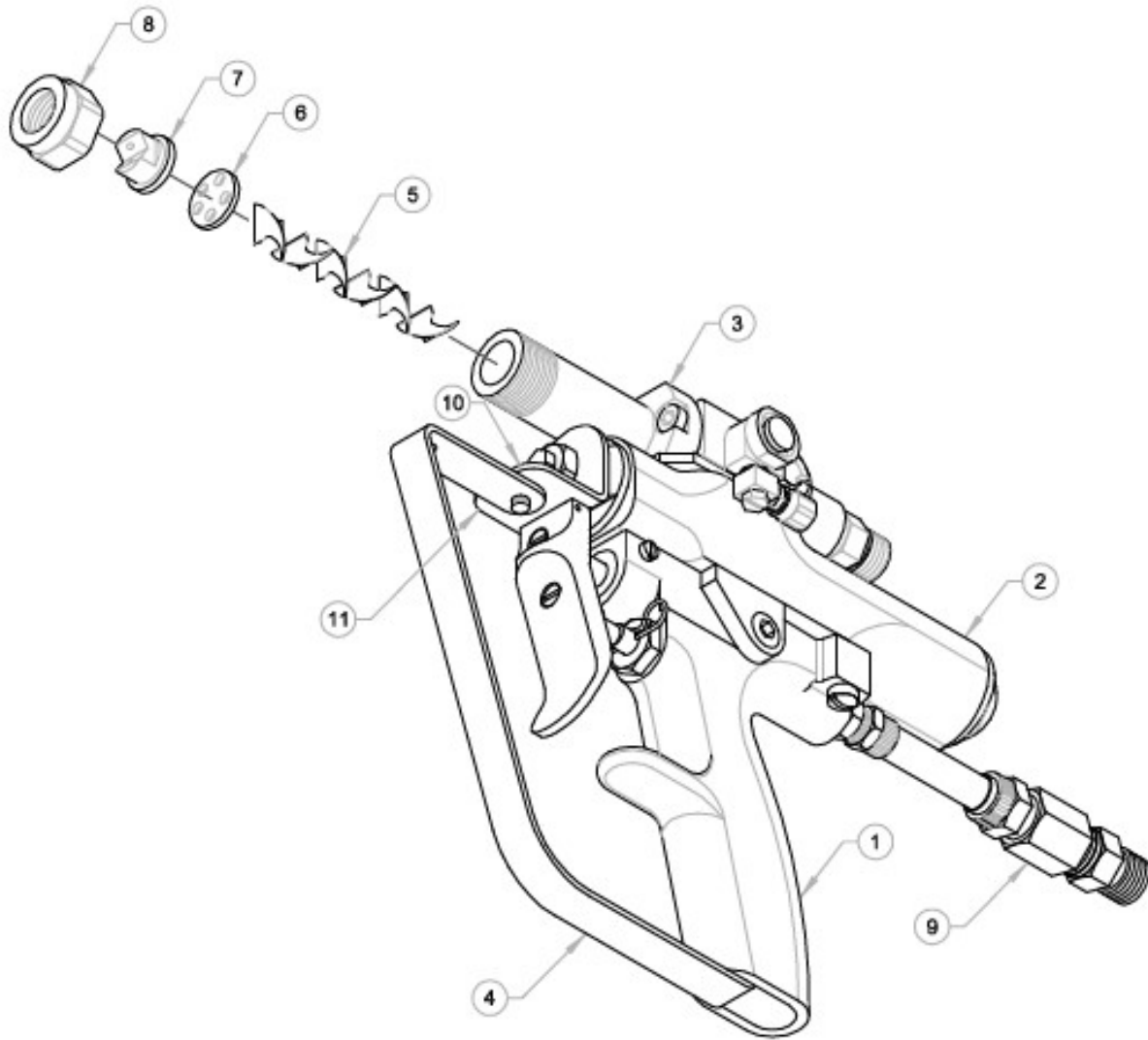
# MAGNUM VENUS PRODUCTS

SYNTACTIC BARRIER COAT GUN	CPW-1000-SBC
----------------------------	--------------

REV: A 07/19/2017

SHEET 2 / 2

6/29/2015



## MAGNUM VENUS PRODUCTS

Pro Wetout Gun  
Pro Wetout Gun W/Signal

CPW-2000  
CPW-2000-S

REV. A = ADDED ITEM 9 (6506-1-0.5) 2/2/06 JEM  
REV. B = ITEM 4 WAS 58676-1, MOVED TO OPTIONAL ASSEMBLIES, ADDED ITEMS 10 AND 11 07/12/06 BT2  
REV. C = ITEM 9 WAS 6504-1-0.5 03/28/18 BT2

Pro Wetout Gun CPW-2000  
 Pro Wetout W/Signal CPW-2000-S

**COMMON PARTS LIST**

ITEM	PART NO.	QTY	DESCRIPTION
1	58603-3	1	GELCOAT GUN HANDLE ASSEMBLY
3	VFTC-4100	1	GUN BLOCK ASSEMBLY
4	58670-1	1	TRIGGER GUARD
5	VPG-1003	1	STATIC MIXER
6	VPG-1002	1	DIFFUSER
7	VFIT-6025	1	FIT NOZZLE
8	8704-4-1	1	NOZZLE CAP
9	6506-1-0.5	1	POLY AIR WHIP ASSY
10	02806-2	1	SCREW
11	58671-1	1	DRIP SHIELD

**REPAIR KITS**

PART NO.	DESCRIPTION
CPC-2000-RK	MAJOR REPAIR KIT - PRO GUN

**CPW-2000**

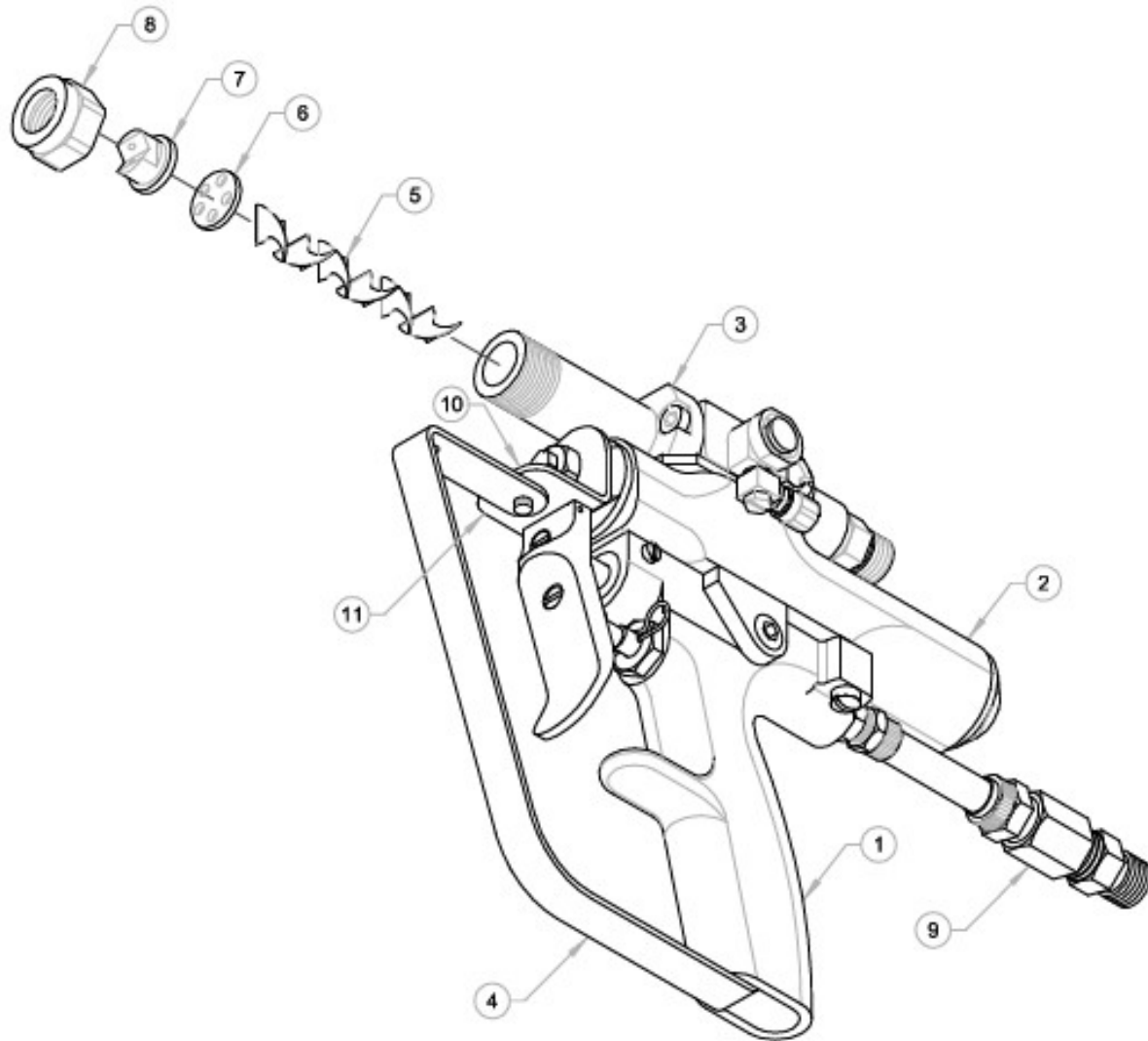
ITEM	PART NO.	QTY	DESCRIPTION
2	58604-1	1	GUN ACTUATOR ASSEMBLY

**CPW-2000-S**

ITEM	PART NO.	QTY	DESCRIPTION
2	58604-1-S	1	GUN ACTUATOR ASSEMBLY

**OPTIONAL PARTS AND ASSEMBLIES**

PART NO.	DESCRIPTION
58676-1	TRIGGER GUARD ASSEMBLY



## MAGNUM VENUS PRODUCTS

Pro Wetout Gun (International)

CPW-2000-INT

Pro Wetout Gun W/Signal (International)

CPW-2000-S-INT

REV. A = ADDED ITEM 9 (6504-1-0.5) 2/2/06 JEM  
REV. B = ITEM 4 WAS 58676-1, MOVED TO OPTIONAL ASSEMBLIES, ADDED ITEMS 10 AND 11 07/12/06 BT2  
REV. C = ITEM 9 WAS 6504-1-0.5 03/28/18 BT2

Pro Wetout Gun                    CPW-2000-INT  
 Pro Wetout W/Signal            CPW-2000-S-INT

**COMMON PARTS LIST**

ITEM	PART NO.	QTY	DESCRIPTION
1	58603-3	1	GEL GUN HANDLE ASSEMBLY
3	VFTC-4100-INT	1	GUN BLOCK ASSEMBLY
4	58670-1	1	TRIGGER GUARD
5	VPG-1003	1	STATIC MIXER
6	VPG-1002	1	DIFFUSER
7	VFIT-8025	1	FIT NOZZLE
8	8704-4-1	1	NOZZLE CAP
9	6506-1-0.5	1	POLY AIR WHIP ASSY
10	02806-2	1	SCREW
11	58671-1	1	DRIP SHIELD

**REPAIR KITS**

PART NO.	DESCRIPTION
CPC-2000-RK-INT	MAJOR REPAIR KIT - PRO GUN

**CPW-2000-INT**

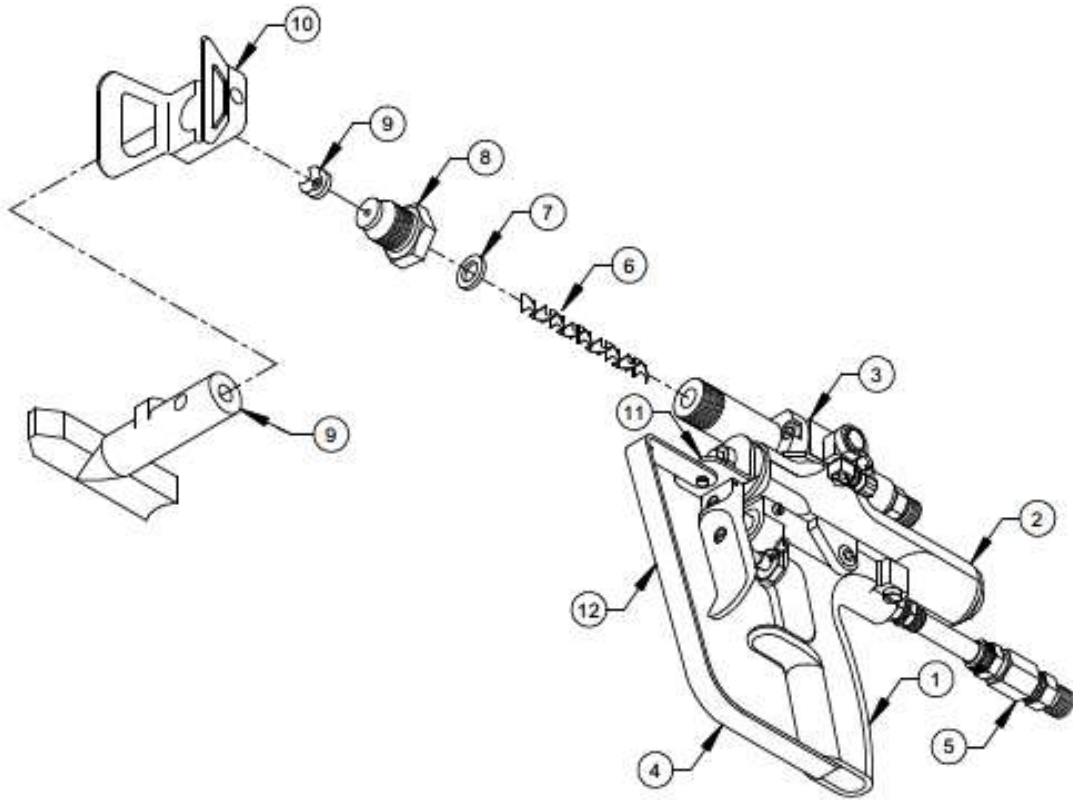
ITEM	PART NO.	QTY	DESCRIPTION
2	58604-1	1	GUN ACTUATOR ASSEMBLY

**CPW-2000-S-INT**

ITEM	PART NO.	QTY	DESCRIPTION
2	58604-1-S	1	GUN ACTUATOR ASSEMBLY

**OPTIONAL PARTS AND ASSEMBLIES**

PART NO.	DESCRIPTION
58676-1	TRIGGER GUARD ASSEMBLY



## MAGNUM VENUS PLASTECH

Pro Wetout Gun W/Reversible Tip

CPW-4000

Pro Wetout Gun W/Reversible Tip and Signal

CPW-4000-S

REV. - 06/22/06 BT2

REV. A - ITEM 4 WAS 58676-1, MOVED TO OPTIONAL ASSEMBLIES, ADDED PARTS 11 AND 12 07/13/06 BT2

REV. B - UPDATED SPRAY TIP AND GUARD TO NEW STYLE, ITEMS 9, 10 09/15/08 BT2

Pro Wetout Gun CPW-4000  
 Pro Wetout W/Signal CPW-4000-S

**COMMON PARTS LIST**

ITEM	PART NO.	QTY	DESCRIPTION
1	58603-3	1	GELCOAT GUN HANDLE ASSEMBLY
3	VFTC-4100-1/4	1	GUN BLOCK ASSEMBLY
4	58670-1	1	TRIGGER GUARD
5	6504-1-0.5	1	POLY AIR WHIP ASSY.
6	TRT-1018-1/4	1	MIXER
7	02030-1	1	SEAL
8	181085	1	ADAPTER
9	XHDXXX	1	TIP AND SEAL (XXX = TIP SIZE)
10	237859	1	GUARD
11	02806-2	1	SCREW
12	58671-1	1	DRIP SHIELD

**REPAIR KITS**

PART NO.	DESCRIPTION
CPW-4000-RK	MAJOR REPAIR KIT - PRO GUN

**CPW-4000**

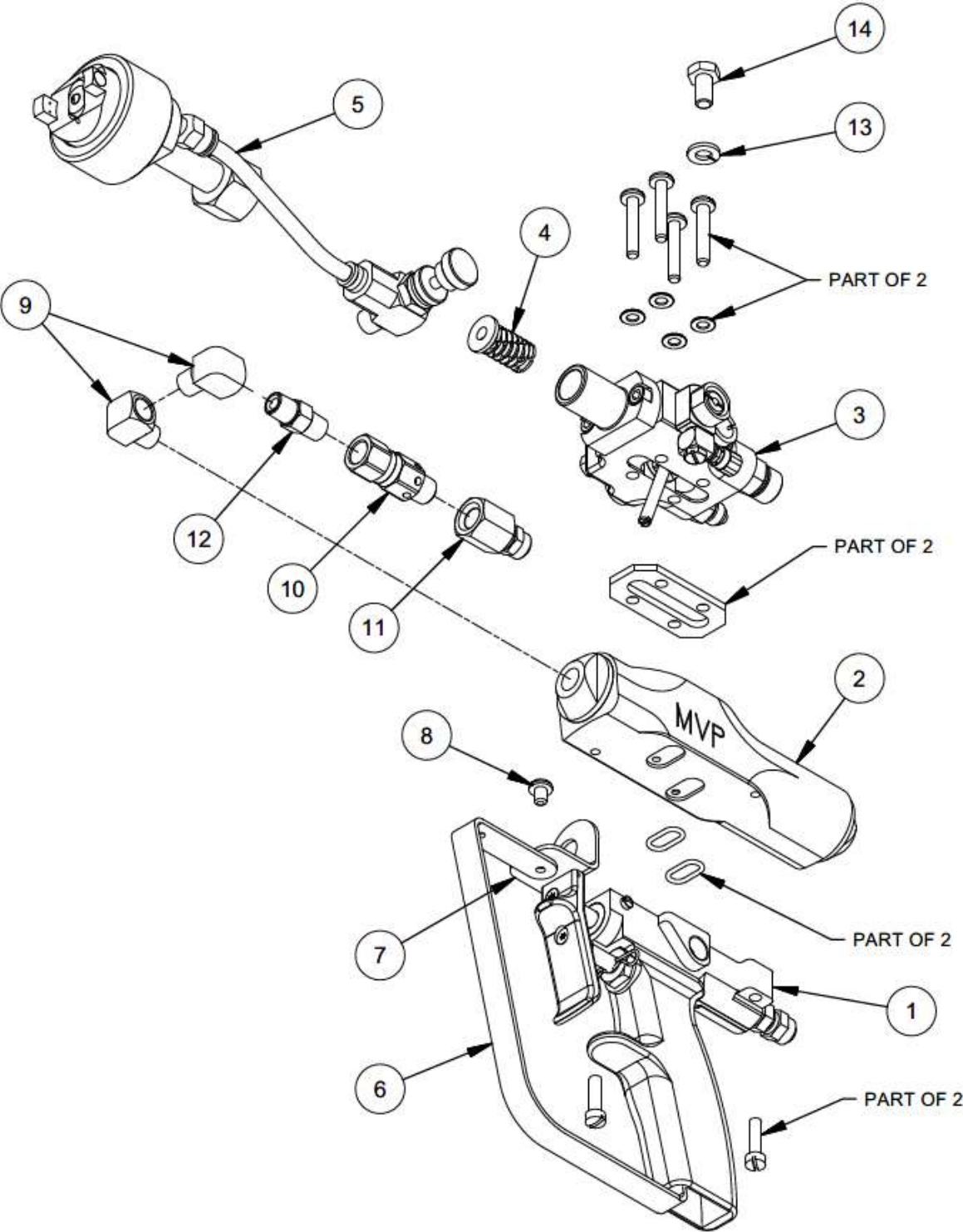
ITEM	PART NO.	QTY	DESCRIPTION
2	58604-1	1	GUN ACTUATOR ASSEMBLY

**CPW-4000-S**

ITEM	PART NO.	QTY	DESCRIPTION
2A	58604-1-S	1	GUN ACTUATOR ASSEMBLY

**OPTIONAL PARTS AND ASSEMBLIES**

PART NO.	DESCRIPTION
58676-1	TRIGGER GUARD ASSEMBLY



# MAGNUM VENUS PLASTECH

GELCOAT GUN WITH QUICK EXHAUST	58320-1
--------------------------------	---------

REV:

SHEET 1 / 2

5/13/2015



Parts List			
ITEM	PART NUMBER	QTY	DESCRIPTION
1	58603-3	1	CLASSIC PRO HANDLE ASSY. - GEL
2	58604-1	1	ACTUATOR ASSEMBLY
3	5104-00-01	1	PRO GUN HEAD ASSEMBLY
4	5107-27-2	1	TURBULENT MIXER
5	VPA-1000	1	AIR ASSIST ASSEMBLY
6	58670-1	1	TRIGGER GUARD
7	58671-1	1	DRIP SHIELD
8	02806-2	1	10-24 PAN HEAD SCREW
9	PF-SE-02-BR	2	STREET ELBOW
10	07652	1	QUICK EXHAUST VALVE
11	07331	1	.25 POLY TO .125 NPT FITTING
12	PF-HN-02	1	HEX NIPPLE
13	F-SW-04	1	LOCK WASHER
14	F-HB-04C-08	1	HEX BOLT

# MAGNUM VENUS PLASTECH

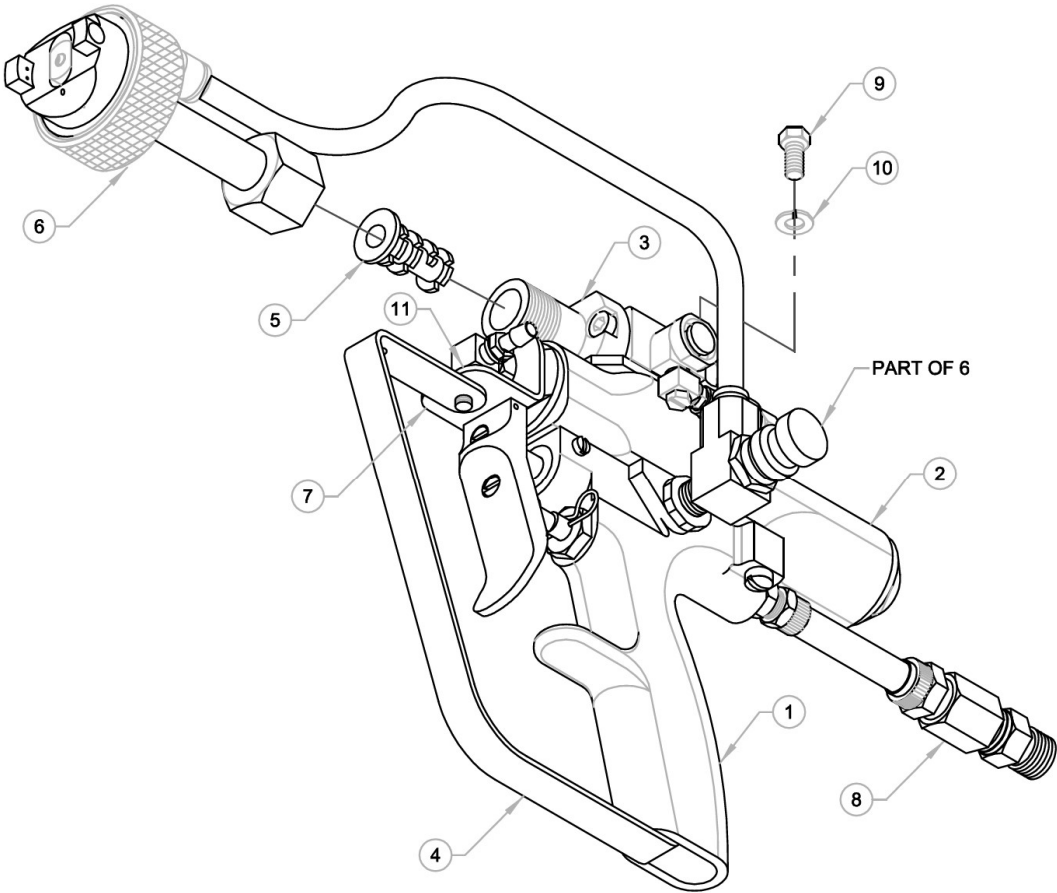
GELCOAT GUN WITH QUICK EXHAUST

58320-1

REV:

SHEET 2 / 2

5/13/2015



# MAGNUM VENUS PLASTECH

Gelcoat Gun Assy	5102-01-01
Gelcoat Gun Assy w/ Air Signal Option	5102-01-02

REV I = RECONFIGURED GUN FROM SUPER PRO II PLATFORM TO PRO PLATFORM 11/07/13 BT2  
REV J = ADDED ITEM 11 07/24/14 BT2  
REV K = ITEM 8 WAS 6504-1-0.5 05/25/18 BT2

**Common Assembly Parts For:**

**Gelcoat Gun Assy 5102-01-01**  
**Gelcoat Gun Assy w/ Air Signal Option 5102-01-02**

**PARTS LIST**

ITEM	PART NO.	QTY	DESCRIPTION
1	58603-3	1	GUN HANDLE ASSEMBLY
3	5104-00-01	1	GUN BLOCK ASSEMBLY
4	58670-1	1	TRIGGER GUARD
5	5107-27-2	1	CRITICAL TURBULENT MIXER
6	VPA-1000	1	AIR ASSIST NOZZLE ASSEMBLY
7	58671-1	1	DRIP SHIELD
8	6506-1-0.5	1	POLY AIR WHIP ASSEMBLY
9	F-HB-04C-08	1	HEX BOLT
10	F-SW-04	1	LOCK WASHER
11	02806-2	1	SCREW

**REPAIR KIT**

PART NO.	DESCRIPTION
58666-1	1 MAJOR REPAIR KIT - PRO GUN

**Gelcoat Gun Assy 5102-01-01**

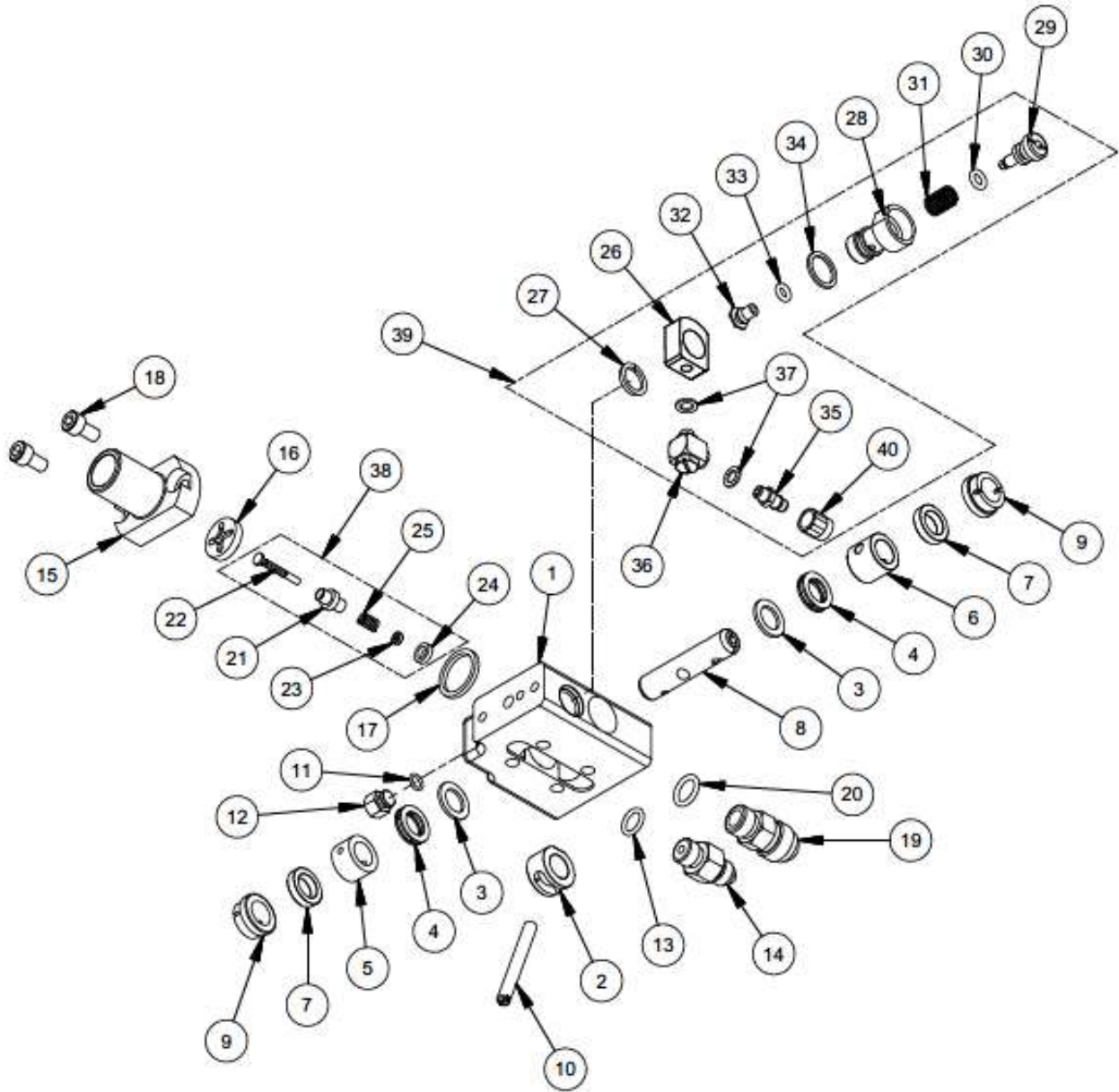
**PARTS LIST**

ITEM	PART NO.	QTY	DESCRIPTION
2	58604-1	1	GUN ACTUATOR ASSEMBLY

**Gelcoat Gun Assy w/ Air Signal Option 5102-01-02**

**PARTS LIST**

ITEM	PART NO.	QTY	DESCRIPTION
2	58604-1-S	1	GUN ACUATOR ASSEMBLY



# MAGNUM VENUS PRODUCTS

GUN HEAD ASSEMBLY

CPW-1100-SBC

REV: B 03/12/2018

SHEET 1 / 2

6/26/2015

Parts List			
ITEM	PART NUMBER	QTY	DESCRIPTION
1	5104-1-1	1	PRO GUN BLOCK
2	5104-10-1	1	CENTER SPACER
3	5104-3-1	2	SECONDARY SEAL
4	5104-4-1	2	RELIEF SPACER
5	5104-6-1	1	TEFLON CATALYST SEAL
6	5104-5-1	1	RESIN SEAL
7	5104-7-1	2	PACKING RING
8	5104-2-1	1	VALVE ROD
9	5104-8-1	2	PACKING NUT
10	5104-11-1	1	ACTUATING STEM
11	O-S-5-125	1	O-RING
12	5104-32-1	1	PLUG
13	O-S-3-903	1	O-RING
14	7701-3-6	1	CONNECTOR FITTING
15	5104-20-1	1	MIX HOUSING
16	5104-18-1	1	FILLED RESIN DISTRIBUTION RING
17	5104-12-1	1	MIX HOUSING SEAL
18	F-CS-1024-06	2	CAP SCREW
19	VPG-1066	1	ADAPTER
20	O-E-3-904	1	O-RING
21	5104-15-1	1	INJECTOR BODY
22	5104-16-1	1	INJECTOR PLUNGER
23	5104-14-1	1	PLUNGER RETAINER
24	5104-13-1	1	INJECTOR SEAL
25	9203-2-2	1	INJECTOR SPRING
26	5104-22-1	1	FLUSH VALVE NECK
27	5104-21-1	1	FLUSH VALVE SPLIT SEAL
28	5104-24-1	1	FLUSH VALVE BODY
29	5104-25-1	1	FLUSH VALVE BUTTON
30	O-E-008	1	O-RING
31	9203-2-3	1	COMPRESSION SPRING
32	5104-23-1	1	FLUSH SEAL BODY
33	O-A-007	1	O-RING
34	5104-26-1	1	FLUSH VALVE SEAL
35	7701-6-3	1	BARBED FITTING
36	7701-6-1	1	SWIVEL ELBOW FITTING
37	7304-3-1	2	NYLON SEAL
40	7701-2-1	1	HOSE CLAMP - POLY TUBE

AVAILABLE SEPARATELY

- 38 5104-03-01 INJECTOR ASSEMBLY
- 39 5104-01-01-INT FLUSH VALVE ASSEMBLY

# MAGNUM VENUS PRODUCTS

GUN HEAD ASSEMBLY

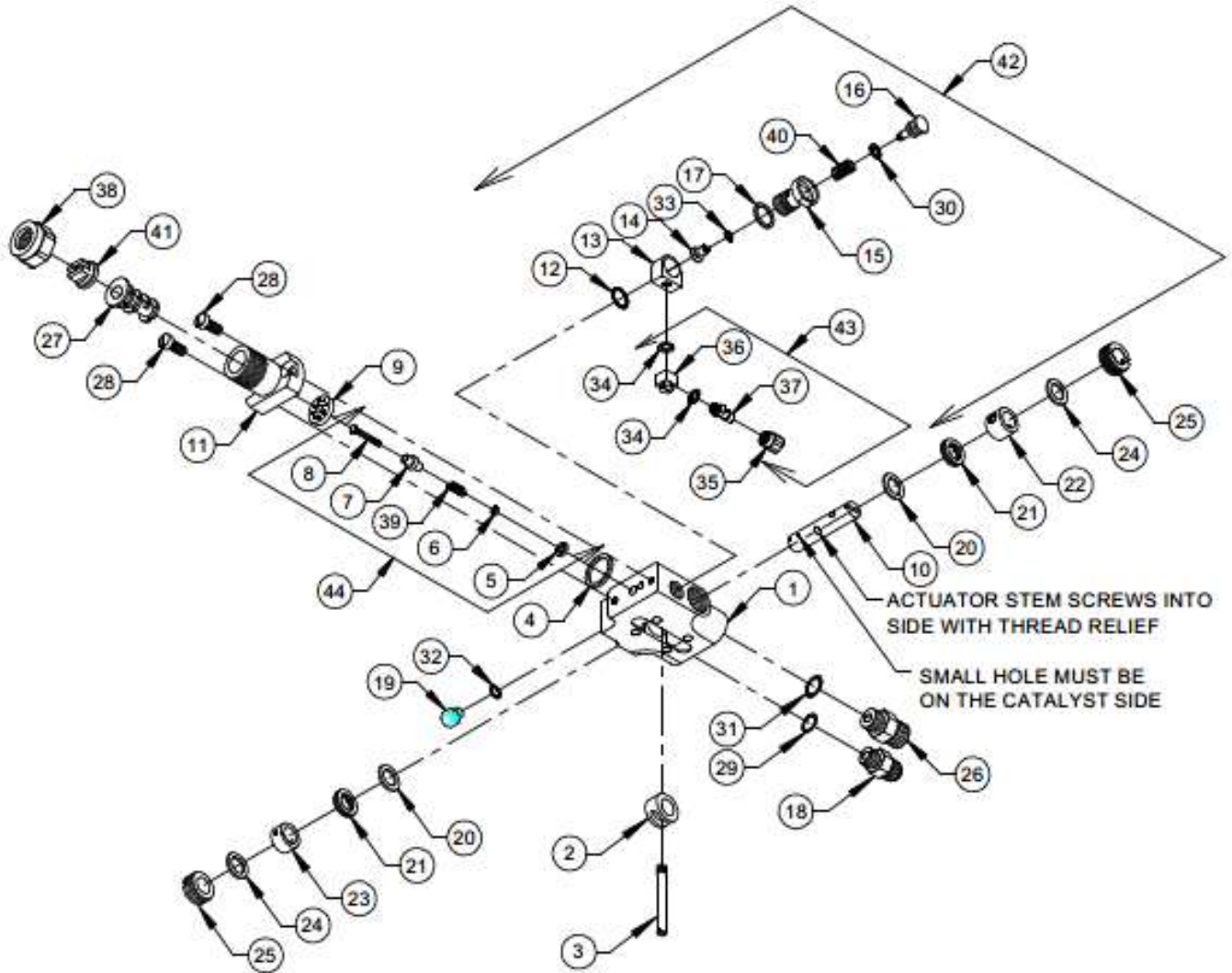
CPW-1100-SBC

REV: B 03/12/2018

SHEET 2 / 2

6/26/2015





## MAGNUM VENUS PRODUCTS

ASSY - PRO GUN BLOCK

58602-1

REV. C = 5104-32-1 REPLACED 07488 CHECK VALVE, UPDATED TO SYS 1 SALES DWG.  
 REV. D = ITEM 30, 7301-13-008 WAS 7301-11-008, ADDED GO NOT GREASE NOTE  
 REV. E = ITEM 30 WAS O-S-008A  
 REV. F = ADDED ITEM 40 9203-2-3

D58602-1 REV. F 09-12-05

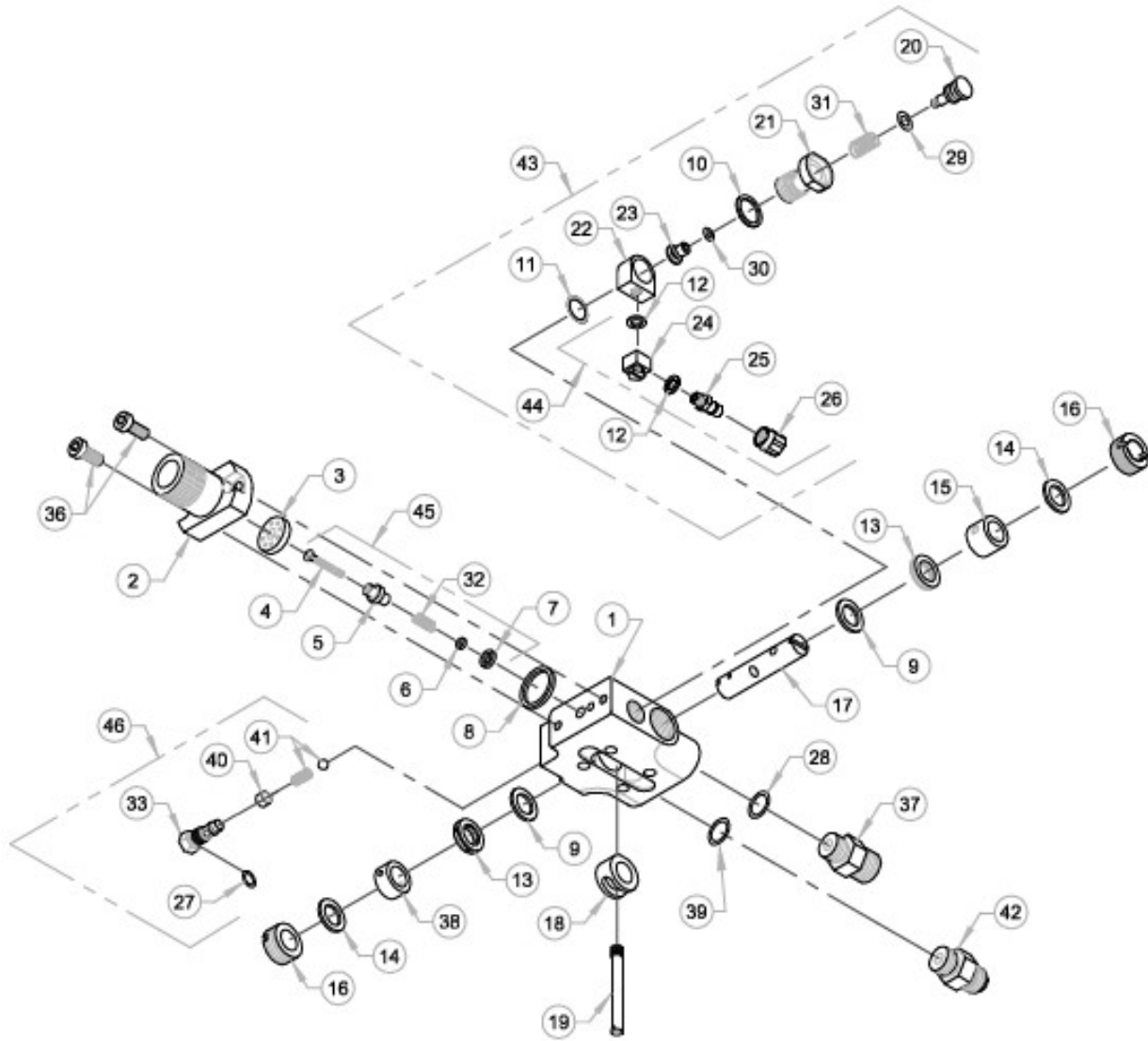
**ASSY - PRO GUN BLOCK 58602-1**

**PARTS LIST**

ITEM	PART NO.	QTY	DESCRIPTION
1	5104-1-1	1	GUN BLOCK
2	5104-10-1	1	CENTER SPACER
3	5104-11-1	1	ACTUATING STEM
4	5104-12-1	1	MIX HOUSING SEAL
5	5104-13-1	1	INJECTOR SEAL
6	5104-14-1	1	PLUNGER RETAINER
7	5104-15-1	1	INJECTOR BODY
8	5104-16-1	1	INJECTOR PLUNGER
9	5104-17-1	1	DISTRIBUTION RING
10	5104-2-1	1	VALVE ROD
11	5104-20-1	1	MIX HOUSING
12	5104-21-1	1	FLUSH VALVE SPLIT SEAL
13	5104-22-1	1	FLUSH VALVE NECK
14	5104-23-1	1	FLUSH SEAL BODY
15	5104-24-1	1	FLUSH VALVE BODY
16	5104-25-1	1	FLUSH VALVE BUTTON
17	5104-26-1	1	FLUSH VALVE SEAL
18	7701-3-6	1	CATALYST HOSE FITTING
19	5104-32-1	1	PLUG
20	5104-3-1	2	SECONDARY SEAL
21	5104-4-1	2	SPACER
22	5104-5-1	1	TEFLON RESIN SEAL
23	5104-6-1	1	TEFLON CATALYST SEAL
24	5104-7-1	2	PACKING RING
25	5104-8-1	2	PACKING NUT
26	5104-9-1	2	RESIN FITTING
27	5107-27-2	1	CRITICAL TURBULANT MIXER
28	7102-1-6	2	SOCKET HEAD CAP SCREW
29	7301-10-903	1	O-RING
30	O-E-008	1	O-RING *DO NOT GREASE THIS O-RING*
31	7301-14-904	1	O-RING
32	7301-15-125	1	O-RING
33	O-E-007	1	O-RING
34	7304-3-1	2	NYLON SEAL
35	7701-2-1	1	HOSE CLAMP
36	7701-6-1	1	ELBOW FITTING
37	7701-6-3	1	BARBED FITTING
38	8704-4-1	1	NOZZLE CAP
39	9203-2-2	1	COMPRESSION SPRING
40	9203-2-3	1	COMPRESSION SPRING
41	T-002552C	1	SPRAY NOZZLE

**OPTIONAL PARTS AND ASSEMBLIES**

ITEM	PART NO.	QTY	DESCRIPTION
9B	5104-18-1	1	FILLED RESIN DISTRIBUTION RING
9C	5104-19-1	1	CRITICAL MIX DISTRIBUTION RING
30B	7301-11-008	1	O-RING
42	5104-01-01	1	FLUSH VALVE ASSEMBLY
43	5104-02-01	1	FLUSH ELBOW
44	5104-03-01	1	INJECTOR ASSEMBLY



## MAGNUM VENUS PLASTECH

CE Gun Block Assy

5104-00-01-INT

REV A - UPDATED ITEMS 27, 28, 39 AND 29B TO ALPHA-NUMERIC 03-03-08 BT2

REV B - ITEM 43 WAS 5104-01-01 05-21-10 BT2

REV C - ITEM 24 WAS 7701-6-1 05-18-13 BT2

Assembly Parts For:

CE Gun Block Assy 5104-00-01-INT

PARTS LIST

ITEM	PART NO.	QTY	DESCRIPTION
1	5104-1-1	1	GUN BLOCK
2	5104-20-1	1	MIX HOUSING
3	5104-17-1	1	DISTRIBUTION RING
4	5104-16-1	1	INJECTOR PLUNGER
5	5104-15-1	1	INJECTOR BODY
6	5104-14-1	1	PLUNGER RETAINER
7	5104-13-1	1	INJECTOR SEAL
8	5104-12-1	1	MIX HOUSING SEAL
9	5104-3-1	2	SECONDARY SEAL
10	5104-26-1	1	FLUSH VALVE SEAL
11	5104-21-1	1	FLUSH VALVE SPLIT SEAL
12	7304-3-1	2	NYLON SEAL
13	5104-4-1	2	RELIEF SPACER
14	5104-7-1	2	PACKING RING
15	5104-5-1	1	RESIN SEAL
16	5104-8-1	2	PACKING NUT
17	5104-2-1	1	VALVE ROD
18	5104-10-1	1	CENTER SPACER
19	5104-11-1	1	ACTUATING STEM
20	5104-25-1	1	FLUSH VALVE BUTTON
21	5104-24-1	1	FLUSH VALVE BODY
22	5104-22-1	1	FLUSH VALVE NECK
23	5104-23-1	1	FLUSH SEAL BODY
24	TRU-1021	1	ELBOW FITTING
25	7701-6-3	1	BARB FITTING
26	7701-2-1	1	HOSE CLAMP
27	O-S-5-125	1	O-RING
28	O-E-3-904	1	O-RING
29	O-E-008	1	O-RING *DO NOT GREASE THIS O-RING*
30	O-A-007	1	O-RING
31	9203-2-3	1	COMPRESSION SPRING
32	9203-2-2	1	COMPRESSION SPRING
33	7702-1-4	1	CHECK VALVE BODY
36	7102-1-6	2	SOCKET HEAD CAP SCREW
37	5104-9-1	1	RESIN FITTING
38	5104-6-1	1	TEFLON CATALYST SEAL
39	O-S-3-903	1	O-RING
40	7702-1-5	1	CHECK VALVE BODY
41	7702-1-6	1	BALL & SPRING
42	7701-3-6	1	CONNECTOR FITTING

OPTIONAL PARTS AND ASSEMBLIES

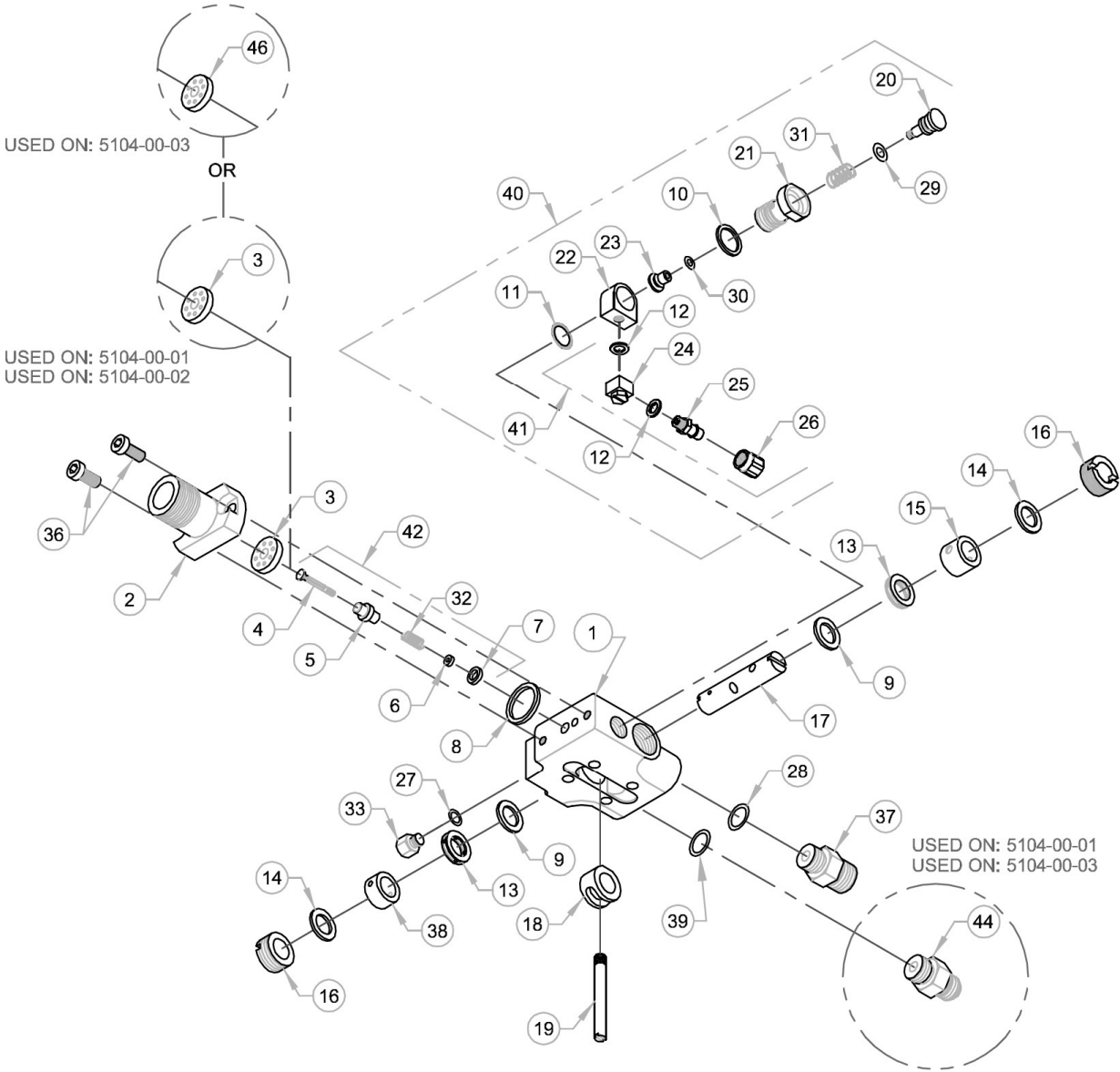
ITEM	PART NO.	QTY	DESCRIPTION
38	5104-19-1	1	CRITICAL MIX DIST RING
298	O-K-008	1	O-RING
43	5104-01-01-INT	1	FLUSH VALVE ASSEMBLY
44	5104-02-01	1	FLUSH ELBOW ASSEMBLY
45	5104-03-01	1	INJECTOR ASSEMBLY
46	5104-04-01	1	CHECK VALVE

REPAIR KIT

PART NO.	DESCRIPTION
6702-016-01-INT	GUN BLOCK REPAIR KIT

FIGURE 1-1





# MAGNUM VENUS PLASTECH

Gun Block Assy	5104-00-01
Abrasive Gun Block Assy	5104-00-03

REV F = ITEM 29, 7301-13-008 WAS 7301-11-008, ADDED \*DO NOT GREASE THIS O-RING\* NOTE  
 REV G = ITEM 29 WAS O-S-008A 08/02/04  
 REV H = ITEM 24 WAS 7701-6-1 05/18/13 BT2

Common Assembly Parts For:  
 Gun Block Assy 5104-00-01  
 Abrasive Gun Block Assy 5104-00-03

**PARTS LIST**

ITEM	PART NO.	QTY	DESCRIPTION
1	5104-1-1	1	GUN BLOCK
2	5104-20-1	1	MIX HOUSING
4	5104-16-1	1	INJECTOR PLUNGER
5	5104-15-1	1	INJECTOR BODY
6	5104-14-1	1	PLUNGER RETAINER
7	5104-13-1	1	INJECTOR SEAL
8	5104-12-1	1	MIX HOUSING SEAL
9	5104-3-1	2	SECONDARY SEAL
10	5104-26-1	1	FLUSH VALVE SEAL
11	5104-21-1	1	FLUSH VALVE SPLIT SEAL
12	7304-3-1	2	NYLON SEAL
13	5104-4-1	2	RELIEF SPACER
14	5104-7-1	2	PACKING RING
15	5104-5-1	1	RESIN SEAL
16	5104-8-1	2	PACKING NUT
17	5104-2-1	1	VALVE ROD
18	5104-10-1	1	CENTER SPACER
19	5104-11-1	1	ACTUATING STEM
20	5104-25-1	1	FLUSH VALVE BUTTON
21	5104-24-1	1	FLUSH VALVE BODY
22	5104-22-1	1	FLUSH VALVE NECK
23	5104-23-1	1	FLUSH SEAL BODY
24	TRU-1021	1	ELBOW FITTING
25	7701-6-3	1	BARB FITTING
26	7701-2-1	1	HOSE CLAMP
27	7301-15-125	1	O-RING
28	7301-14-904	1	O-RING
29	O-E-008	1	O-RING *DO NOT GREASE THIS O-RING*
30	O-E-007	1	O-RING
31	9203-2-3	1	COMPRESSION SPRING
32	9203-2-2	1	COMPRESSION SPRING
33	5104-32-1	1	PLUG
36	7102-1-6	2	SOCKET HEAD CAP SCREW
37	5104-9-1	1	RESIN FITTING
38	5104-6-1	1	TEFLON CATALYST SEAL
39	7301-10-903	1	O-RING

**OPTIONAL PARTS AND ASSEMBLIES**

ITEM	PART NO.	QTY	DESCRIPTION
3B	5104-19-1	1	CRITICAL MIX DIST RING
29B	7301-11-008	1	O-RING
40	5104-01-01	1	FLUSH VALVE ASSEMBLY
41	5104-02-01	1	FLUSH ELBOW ASSEMBLY
42	5104-03-01	1	INJECTOR ASSEMBLY
15B	5104-29-01	1	FILLED RESIN SEAL ASSY

**REPAIR KIT**

PART NO.	DESCRIPTION
6702-016-01	GUN BLOCK REPAIR KIT

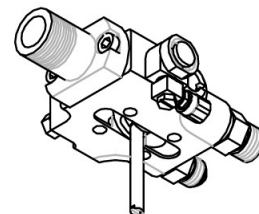
**GB1S1 Gun Block Assy 5104-00-01**

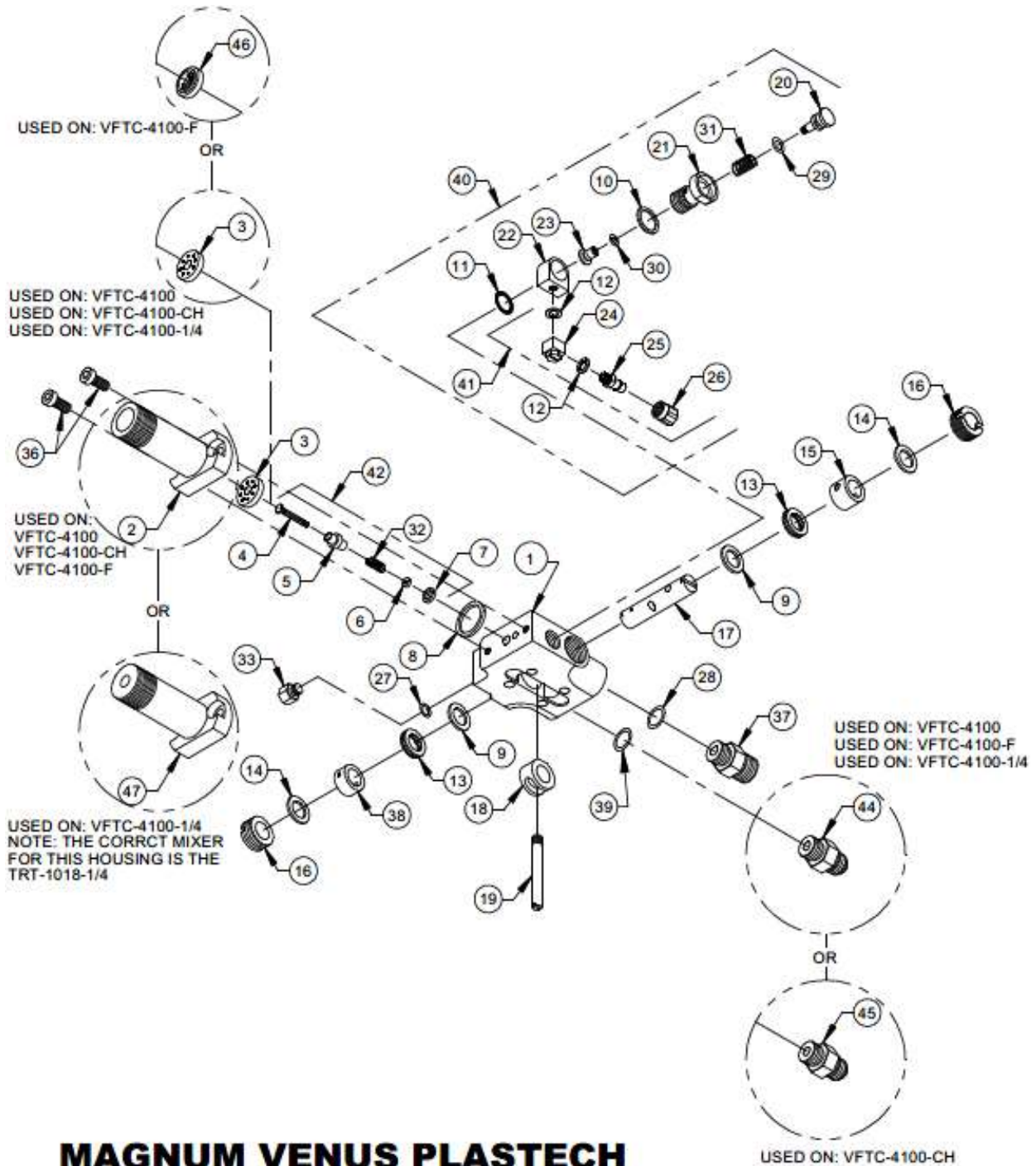
ITEM	PART NO.	QTY	DESCRIPTION
44	7701-3-6	1	CONNECTOR FITTING
3	5104-17-1	1	DISTRIBUTION RING

**GB1S1 Abrasive Gun Block Assy 5104-00-03**

ITEM	PART NO.	QTY	DESCRIPTION
44	4114-2-1	1	CONNECTOR FITTING
46	5104-18-1	1	FILLED RESIN DIST RING

FIGURE 1-1





## MAGNUM VENUS PLASTECH

SuperPro II - FIT Gun Head Assy	VFTC-4100
SuperPro II - FIT Chargeable Gun Head Assy	VFTC-4100-CH
SuperPro II - FIT Filled Gun Head Assy	VFTC-4100-F
SuperPro II - MCC Gun Head Assy	VFTC-4100-1/4

REV D = ITEM 29 WAS O-S-008A  
 REV E = ITEM 44 WAS 4114-2-1 2/14/05 JEM  
 REV F = ADDED REPAIR KIT, UPDATED ITEMS 27,28,39, AND 29B TO ALPHA NUMERIC 03/25/08 BT2  
 REV G = ADDED NOTE FOR TRT-1018-1/4 MIXER 03/25/08 BT2

Common Assembly Parts For:

- SuperPro II - FIT Gun Head Assy VFTC-4100
- SuperPro II - FIT Chargeable Gun Head Assy VFTC-4100-CH
- SuperPro II - FIT Filled Gun Head Assy VFTC-4100-F
- SuperPro II - MCC Gun Head Assy VFTC-4100-1/4

**PARTS LIST**

ITEM	PART NO.	QTY	DESCRIPTION
1	5104-1-1	1	GUN BLOCK
4	5104-16-1	1	INJECTOR PLUNGER
5	5104-15-1	1	INJECTOR BODY
6	5104-14-1	1	PLUNGER RETAINER
7	5104-13-1	1	INJECTOR SEAL
8	5104-12-1	1	MIX HOUSING SEAL
9	5104-3-1	2	SECONDARY SEAL
10	5104-26-1	1	FLUSH VALVE SEAL
11	5104-21-1	1	FLUSH VALVE SPLIT SEAL
12	7304-3-1	2	NYLON SEAL
13	5104-4-1	2	RELIEF SPACER
14	5104-7-1	2	PACKING RING
15	5104-5-1	1	RESIN SEAL
16	5104-8-1	2	PACKING NUT
17	5104-2-1	1	VALVE ROD
18	5104-10-1	1	CENTER SPACER
19	5104-11-1	1	ACTUATING STEM
20	5104-25-1	1	FLUSH VALVE BUTTON
21	5104-24-1	1	FLUSH VALVE BODY
22	5104-22-1	1	FLUSH VALVE NECK
23	5104-23-1	1	FLUSH SEAL BODY
24	7701-6-1	1	ELBOW FITTING
25	7701-6-3	1	BARB FITTING
26	7701-2-1	1	HOSE CLAMP
27	O-S-5-125	1	O-RING
28	O-E-3-904	1	O-RING
29	O-E-008	1	O-RING *DO NOT GREASE THIS O-RING*
30	O-E-007	1	O-RING
31	9203-2-3	1	COMPRESSION SPRING
32	9203-2-2	1	COMPRESSION SPRING
33	5104-32-1	1	GUN HEAD PLUG
36	7102-1-6	2	SOCKET HEAD CAP SCREW
37	VPG-1066	1	RESIN FITTING
38	5104-6-1	1	TEFLON CATALYST SEAL
39	O-S-3-903	1	O-RING

**OPTIONAL PARTS AND ASSEMBLIES**

ITEM	PART NO.	QTY	DESCRIPTION
3B	5104-19-1	1	CRITICAL MIX DIST RING
29B	O-K-008	1	O-RING
40	5104-01-01	1	FLUSH VALVE ASSEMBLY
41	5104-02-01	1	FLUSH ELBOW ASSEMBLY
42	5104-03-01	1	INJECTOR ASSEMBLY
15B	5104-29-01	1	FILLED RESIN SEAL ASSY
	TRT-1018-1/4	1	MIXER FOR VPG-1001-1/4

**REPAIR KIT**

PART NO.
6702-016-01

**SuperPro II - FIT Gun Head Assy VFTC-4100**

ITEM	PART NO.	QTY	DESCRIPTION
44	7701-3-6	1	CONNECTOR FITTING
3	5104-17-1	1	DISTRIBUTION RING
2	VPG-1001	1	MIX HOUSING

**SuperPro II - FIT Chargeable Gun Head Assy VFTC-4100-CH**

ITEM	PART NO.	QTY	DESCRIPTION
45	5104-27-1	1	CATALYST FITTING
3	5104-17-1	1	DISTRIBUTION RING
2	VPG-1001	1	MIX HOUSING

**SuperPro II - FIT Filled Gun Head Assy VFTC-4100-F**

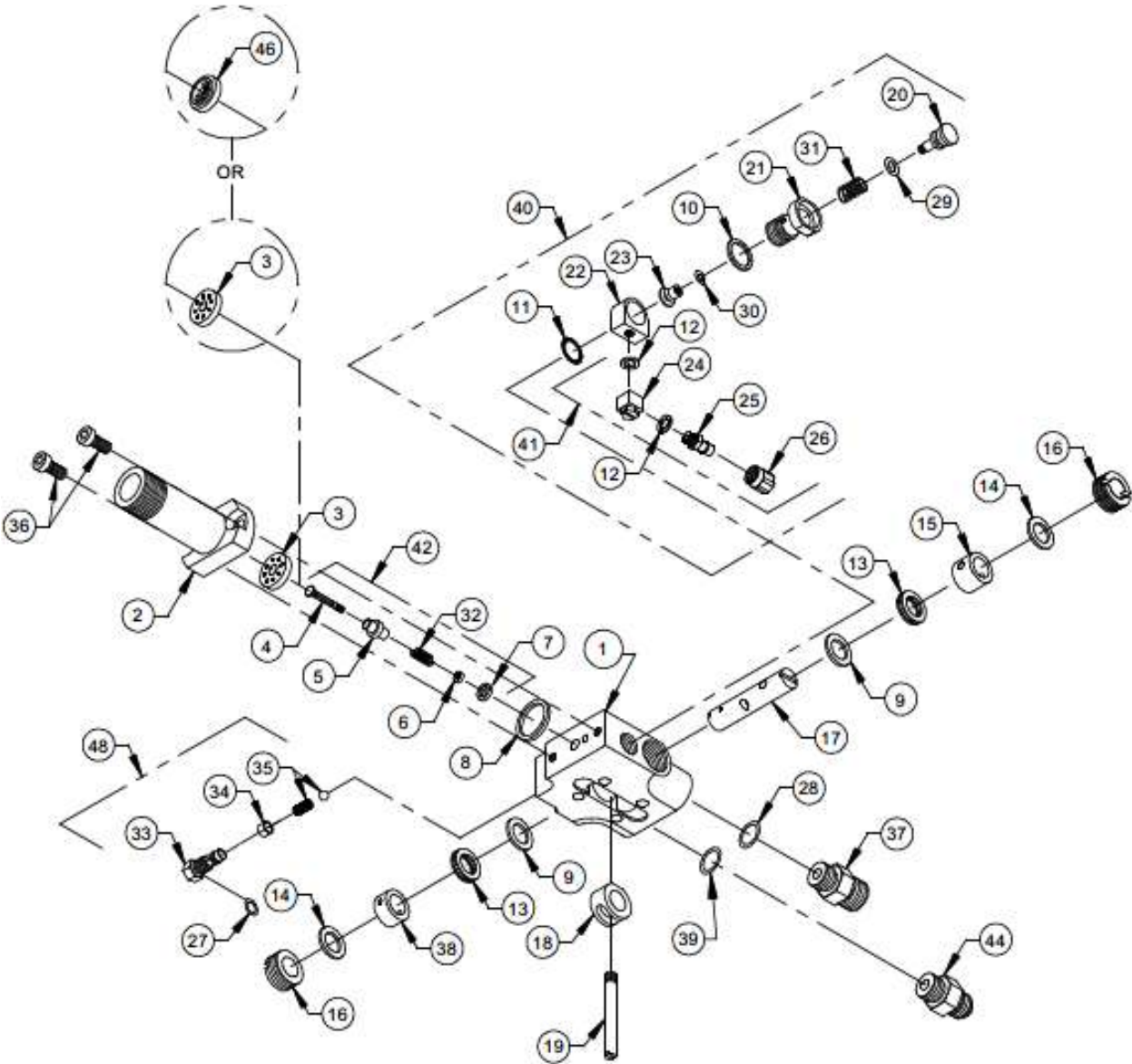
ITEM	PART NO.	QTY	DESCRIPTION
44	7701-3-6	1	CONNECTOR FITTING
46	5104-18-1	1	FILLED RESIN DIST RING
2	VPG-1001	1	MIX HOUSING

**SuperPro II - MCC Gun Head Assy VFTC-4100-1/4**

ITEM	PART NO.	QTY	DESCRIPTION
44	7701-3-6	1	CONNECTOR FITTING
3	5104-17-1	1	DISTRIBUTION RING
47	VPG-1001-1/4	1	MIX HOUSING

FIGURE 1-1





# MAGNUM VENUS PLASTECH

SuperPro II - FIT Gun Head Assy (International)	VFTC-4100-INT
SuperPro II - FIT Filled Gun Head Assy (International)	VFTC-4100-F-INT

REV - 09/20/05 BT2  
REV A - UPDATED ITEMS 27, 28, 29B, AND 39 TO ALPHA NUMERIC 04/26/07 BT2  
REV B - ADDED REPAIR KIT 03/25/08 BT2

Common Assembly Parts For:  
 FIT Gun Head Assy VFTC-4100-INT  
 FIT Filled Gun Head Assy VFTC-4100-F-INT

**PARTS LIST**

ITEM	PART NO.	QTY	DESCRIPTION
1	5104-1-1	1	GUN BLOCK
2	VPG-1001	1	MIX HOUSING
4	5104-16-1	1	INJECTOR PLUNGER
5	5104-15-1	1	INJECTOR BODY
6	5104-14-1	1	PLUNGER RETAINER
7	5104-13-1	1	INJECTOR SEAL
8	5104-12-1	1	MIX HOUSING SEAL
9	5104-3-1	2	SECONDARY SEAL
10	5104-26-1	1	FLUSH VALVE SEAL
11	5104-21-1	1	FLUSH VALVE SPLIT SEAL
12	7304-3-1	2	NYLON SEAL
13	5104-4-1	2	RELIEF SPACER
14	5104-7-1	2	PACKING RING
15	5104-5-1	1	RESIN SEAL
16	5104-8-1	2	PACKING NUT
17	5104-2-1	1	VALVE ROD
18	5104-10-1	1	CENTER SPACER
19	5104-11-1	1	ACTUATING STEM
20	5104-25-1	1	FLUSH VALVE BUTTON
21	5104-24-1	1	FLUSH VALVE BODY
22	5104-22-1	1	FLUSH VALVE NECK
23	5104-23-1	1	FLUSH SEAL BODY
24	7701-6-1	1	ELBOW FITTING
25	7701-6-3	1	BARB FITTING
26	7701-2-1	1	HOSE CLAMP
27	O-S-5-125	1	O-RING
28	O-E-3-904	1	O-RING
29	O-E-008	1	O-RING *DO NOT GREASE THIS O-RING*
30	O-A-007	1	O-RING
31	9203-2-3	1	COMPRESSION SPRING
32	9203-2-2	1	COMPRESSION SPRING
33	7702-1-4	1	CHECK VALVE BODY
34	7702-1-5	1	CHECK VALVE SLEEVE
35	7702-1-6	1	BALL & SPRING
36	7102-1-6	2	SOCKET HEAD CAP SCREW
37	VPG-1066	1	RESIN FITTING
38	5104-6-1	1	TEFLON CATALYST SEAL
39	O-S-3-903	1	O-RING

**OPTIONAL PARTS AND ASSEMBLIES**

ITEM	PART NO.	QTY	DESCRIPTION
3B	5104-19-1	1	CRITICAL MIX DIST RING
29B	O-K-008	1	O-RING
40	5104-01-01-INT	1	FLUSH VALVE ASSEMBLY
41	5104-02-01	1	FLUSH ELBOW ASSEMBLY
42	5104-03-01	1	INJECTOR ASSEMBLY
15B	5104-29-01	1	FILLED RESIN SEAL ASSY
48	5104-04-01	1	CHECK VALVE ASSEMBLY

**REPAIR KIT**

PART NO.  
 6702-016-01-INT

**SuperPro II - FIT Gun Head Assy VFTC-4100**

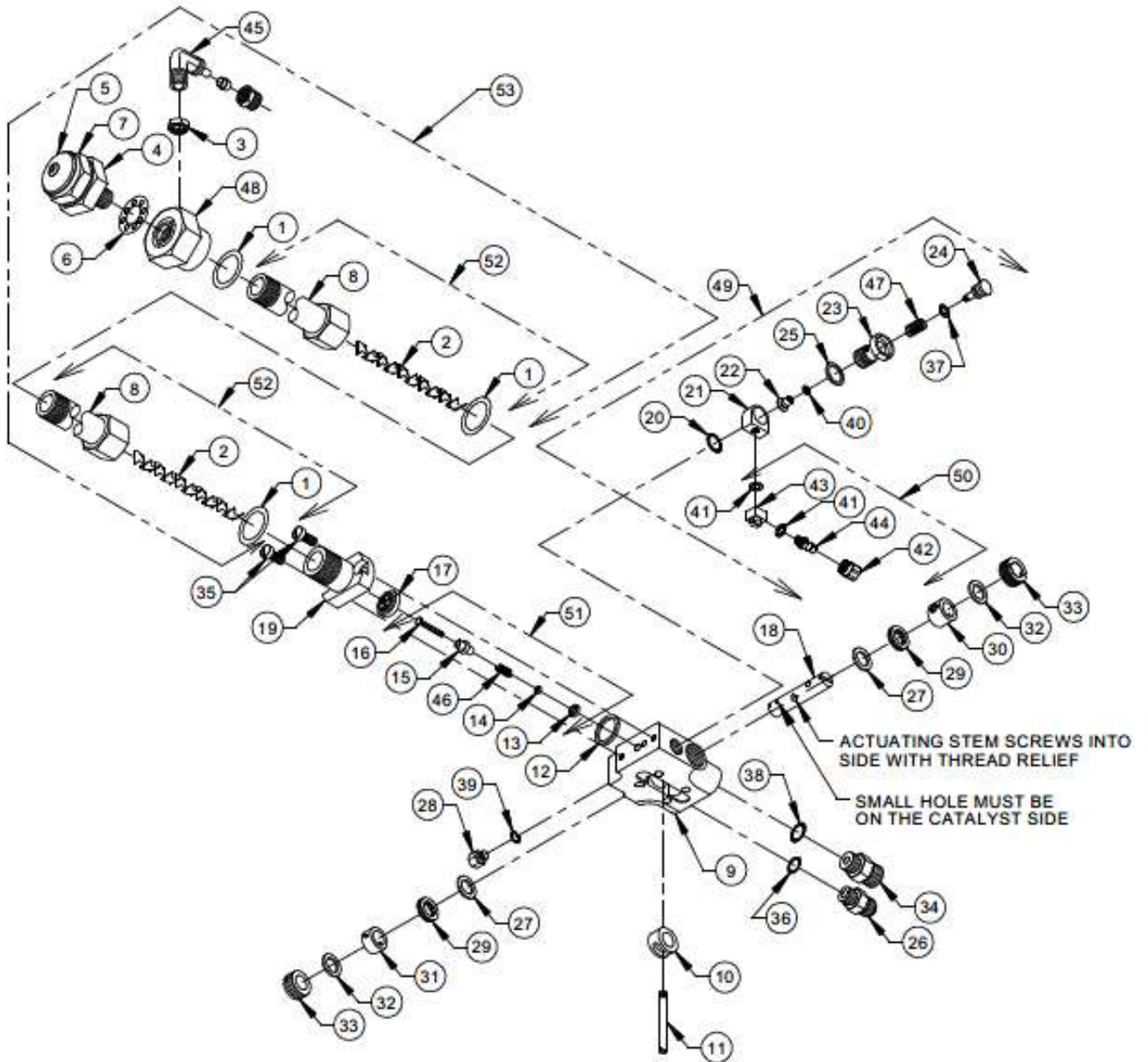
ITEM	PART NO.	QTY	DESCRIPTION
44	7701-3-6	1	CONNECTOR FITTING
3	5104-17-1	1	DISTRIBUTION RING

**SuperPro II - FIT Filled Gun Head Assy VFTC-4100-F**

ITEM	PART NO.	QTY	DESCRIPTION
44	7701-3-6	1	CONNECTOR FITTING
46	5104-18-1	1	FILLED RESIN DIST RING

FIGURE 1-1





## MAGNUM VENUS PRODUCTS

ASSEMBLY - GUN BLOCK MEKP PUTTY

58756-1

REV. B = 5104-32-1 REPLACED 5104-04-01 CHECK VALVE ASSY, DWG WAS 12489-1  
REV. C = ADDED 50058-1 ITEM 53 TO DWG 9/20/02 JEM  
REV. D = ITEM 37 WAS O-S-008A 08/02/04 BT2

D58756-1 REV. D 08/02/04

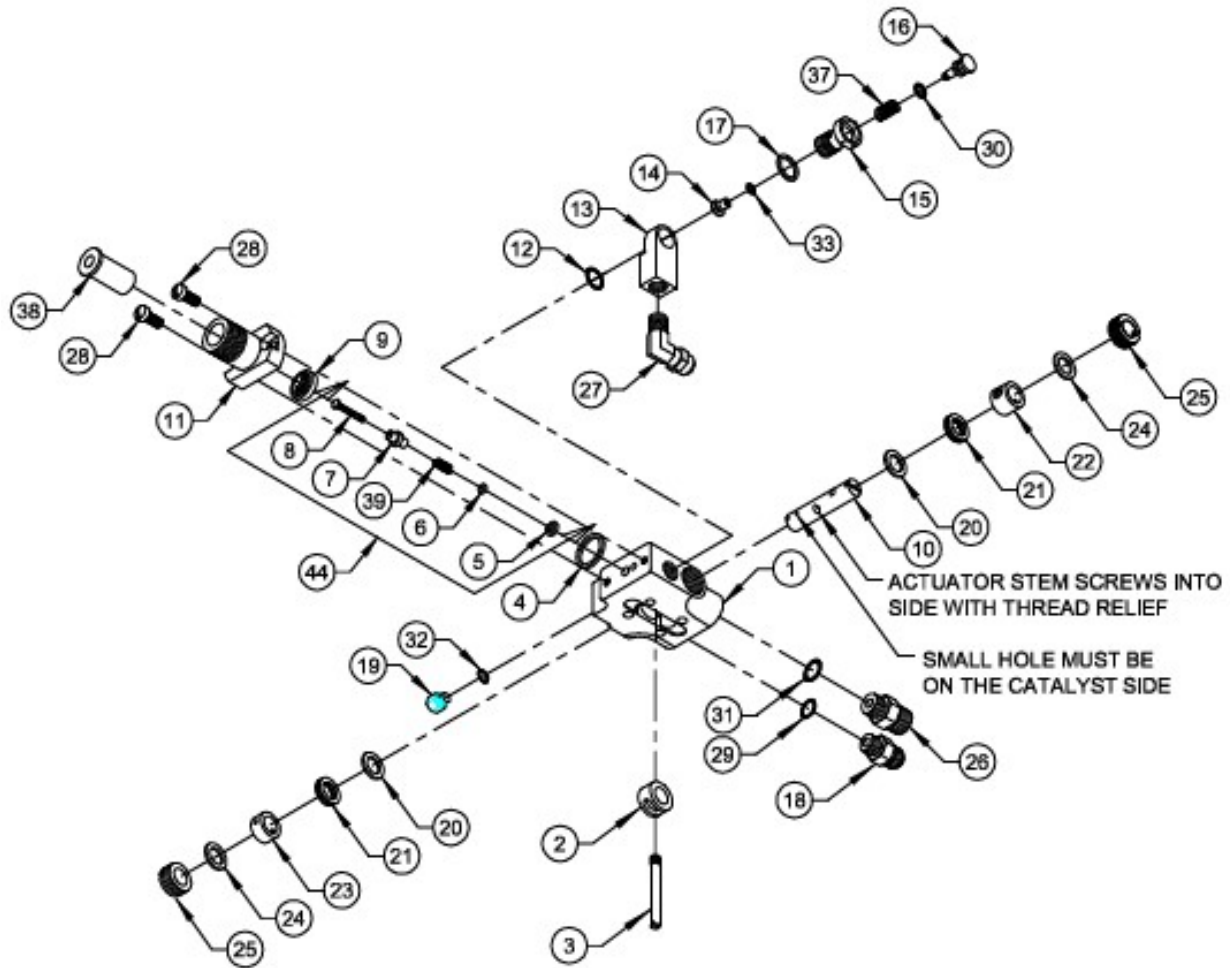
**ASSY - GUN BLOCK MEKP PUTTY UNIT 58756-1**

**PARTS LIST**

ITEM	PART NO.	QTY	DESCRIPTION
1	02030-1	3	SEAL
2	05244	2	3/8" STATIC MIXER
3	05500	1	PIPE THREAD SEAL
4	06284	1	FLUID CAP
5	06285	1	AIR CAP
6	06286	1	SEAL
7	06291	1	RETAINER RING
8	50056-1	2	MIXER HOUSING
9	5104-1-1	1	GUN BLOCK
10	5104-10-1	1	CENTER SPACER
11	5104-11-1	1	ACTUATING STEM
12	5104-12-1	1	MIX HOUSING SEAL
13	5104-13-1	1	INJECTOR SEAL
14	5104-14-1	1	PLUNGER RETAINER
15	5104-15-1	1	INJECTOR BODY
16	5104-16-1	1	INJECTOR PLUNGER
17	5104-18-1	1	FILLED DISTRIBUTION RING
18	5104-2-1	1	VALVE ROD
19	5104-20-1	1	MIX HOUSING
20	5104-21-1	1	FLUSH VALVE SPLIT SEAL
21	5104-22-1	1	FLUSH VALVE NECK
22	5104-23-1	1	FLUSH SEAL BODY
23	5104-24-1	1	FLUSH VALVE BODY
24	5104-25-1	1	FLUSH VALVE BUTTON
25	5104-26-1	1	FLUSH VALVE SEAL
26	7701-3-6	1	CATALYST HOSE FITTING
27	5104-3-1	2	SECONDARY SEAL
28	5104-32-1	1	PLUG
29	5104-4-1	2	SPACER
30	5104-5-1	1	RESIN SEAL
31	5104-6-1	1	CATAYLIST SEAL
32	5104-7-1	2	PACKING RING
33	5104-8-1	2	PACKING NUT
34	5104-9-1	1	RESIN FITTING
35	7102-1-6	2	SOCKET HEAD CAP SCREW
36	7301-10-903	1	O-RING
37	O-E-008	1	O-RING *DO NOT GREASE THIS O-RING*
38	7301-14-904	1	O-RING
39	7301-15-125	1	O-RING
40	O-E-007	1	O-RING *DO NOT GREASE THIS O-RING*
41	7304-3-1	2	SEAL
42	7701-2-1	1	HOSE CLAMP
43	7701-6-1	1	ELBOW FITTING
44	7701-6-3	1	BARBED FITTING
45	7701-6-18	1	POLY ELBOW
46	9203-2-2	1	COMPRESSION SPRING
47	9203-2-3	1	COMPRESSION SPRING
48	58763-1	1	MIX HOUSING ADAPTER

**OPTIONAL PARTS AND ASSEMBLIES**

ITEM	PART NO.	QTY	DESCRIPTION
49	5104-01-01	1	FLUSH VAVLE ASSEMBLY
50	5104-02-01	1	FLUSH ELBOW ASSEMBLY
51	5104-03-01	1	INJECTOR ASSEMBLY
52	50055-1	2	MIXER TUBE ASSEMBLY
53	50058-1	1	MIXER HOUSING W / FITTING ASSEMBLY



# MAGNUM VENUS PLASTECH

CLASSIC PRO PUTTY GUN BLOCK	CPP-6100
-----------------------------	----------

REV. 02-07-08 BT2  
REV. A - REMOVED MIXER ITEMS, PLACED ON CPP-6000 DRAWING 03-13-08 BT2

**PRO PUTTY GUN BLOCK CPP-6100**

**PARTS LIST**


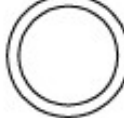








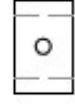







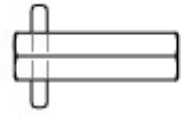




**REPAIR KIT**

ITEM	PART NO.	QTY	DESCRIPTION	PART NO.	DESCRIPTION
1	5104-1-1	1	GUN BLOCK	* CPP-6100-RK	REPAIR KIT
2	5104-10-1	1	CENTER SPACER		
3	5104-11-1	1	ACTUATING STEM		
* 4	5104-12-1	1	MIX HOUSING SEAL		
* 5	5104-13-1	1	INJECTOR SEAL		
6	5104-14-1	1	PLUNGER RETAINER		
7	5104-15-1	1	INJECTOR BODY		
8	5104-16-1	1	INJECTOR PLUNGER		
9	5104-18-1	1	FILLED RESIN DISTRIBUTION RING		
10	5104-2-1	1	VALVE ROD		
11	5104-20-1	1	MIX HOUSING		
* 12	5104-21-1	1	FLUSH VALVE SPLIT SEAL		
13	5104-22-2	1	FLUSH VALVE NECK		
14	5104-23-1	1	FLUSH SEAL BODY		
15	5104-24-1	1	FLUSH VALVE BODY		
16	5104-25-1	1	FLUSH VALVE BUTTON		
* 17	5104-26-1	1	FLUSH VALVE SEAL		
18	7701-3-6	1	CATALYST HOSE FITTING		
19	5104-32-1	1	PLUG		
* 20	5104-3-1	2	SECONDARY SEAL		
21	5104-4-1	2	SPACER		
* 22	5104-5-1	1	TEFLON RESIN SEAL		
* 23	5104-6-1	1	TEFLON CATALYST SEAL		
* 24	5104-7-1	2	PACKING RING		
25	5104-8-1	2	PACKING NUT		
26	5104-9-1	1	RESIN FITTING		
27	MPH-2539	1	POLY ELBOW		
28	7102-1-6	2	SOCKET HEAD CAP SCREW		
* 29	O-S-3-903	1	O-RING		
* 30	O-E-008	1	O-RING *DO NOT GREASE THIS O-RING*		
* 31	O-E-3-904	1	O-RING		
* 32	O-S-5-125	1	O-RING		
* 33	O-E-007	1	O-RING		
37	9203-2-3	1	COMPRESSION SPRING		
38	CPP-6107	1	MIXER PLUG		
39	9203-2-2	1	SPRING		










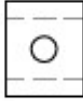

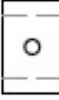











**OPTIONAL PARTS AND ASSEMBLIES**

ITEM	PART NO.	QTY	DESCRIPTION
30B	O-K-008	1	O-RING
44	5104-03-01	1	INJECTOR ASSEMBLY










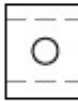

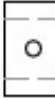


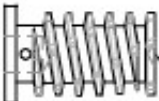

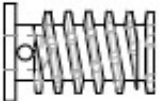







CPC-2000-RK  
MAJOR REPAIR KIT – PRO FIT GUN

1 PC		O-E-007 O-RING	1 PC		5104-12-1 MIX HOUSING SEAL
1 PC		O-E-008 O-RING *DO NOT GREASE THIS O-RING*			
1 PC		O-E-3-904 O-RING	1 PC		5104-21-1 SPLIT SEAL
1 PC		O-S-5-125	2 PCS		5104-7-1 PACKING RING
1 PC		O-S-3-903 O-RING	1 PC		5104-5-1 TEFLON RESIN SEAL
1 PC		O-D-010 O-RING	1 PC		5104-6-1 TEFLON CATALYST SEAL
2 PCS		O-U-011 O-RING			
2 PCS		O-U-109 O-RING	1 PC		VPG-1003 MIXER ELEMENT
2 PCS		O-V-013 O-RING	1 PC		VPG-1002 DIFFUSER
3 PCS		O-V-020 O-RING			
1 PC		5104-13-1 INJECTOR SEAL	1 PC		6705-1-1 PACKING BIT
2 PCS		7304-3-1 NYLON SEAL			
4 PCS		5106-3-1 GUN BLOCK SEAL			
2 PCS		5104-3-1 SECONDARY SEAL			
1 PC		5104-26-1 FLUSH VALVE SEAL			















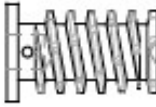

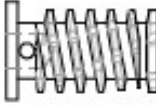





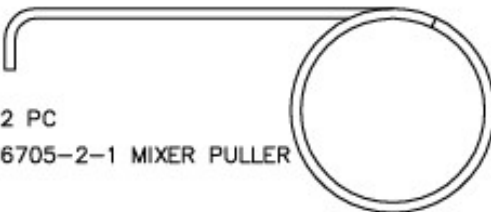

CPC-2000-RK-INT  
 MAJOR REPAIR KIT – PRO FIT GUN

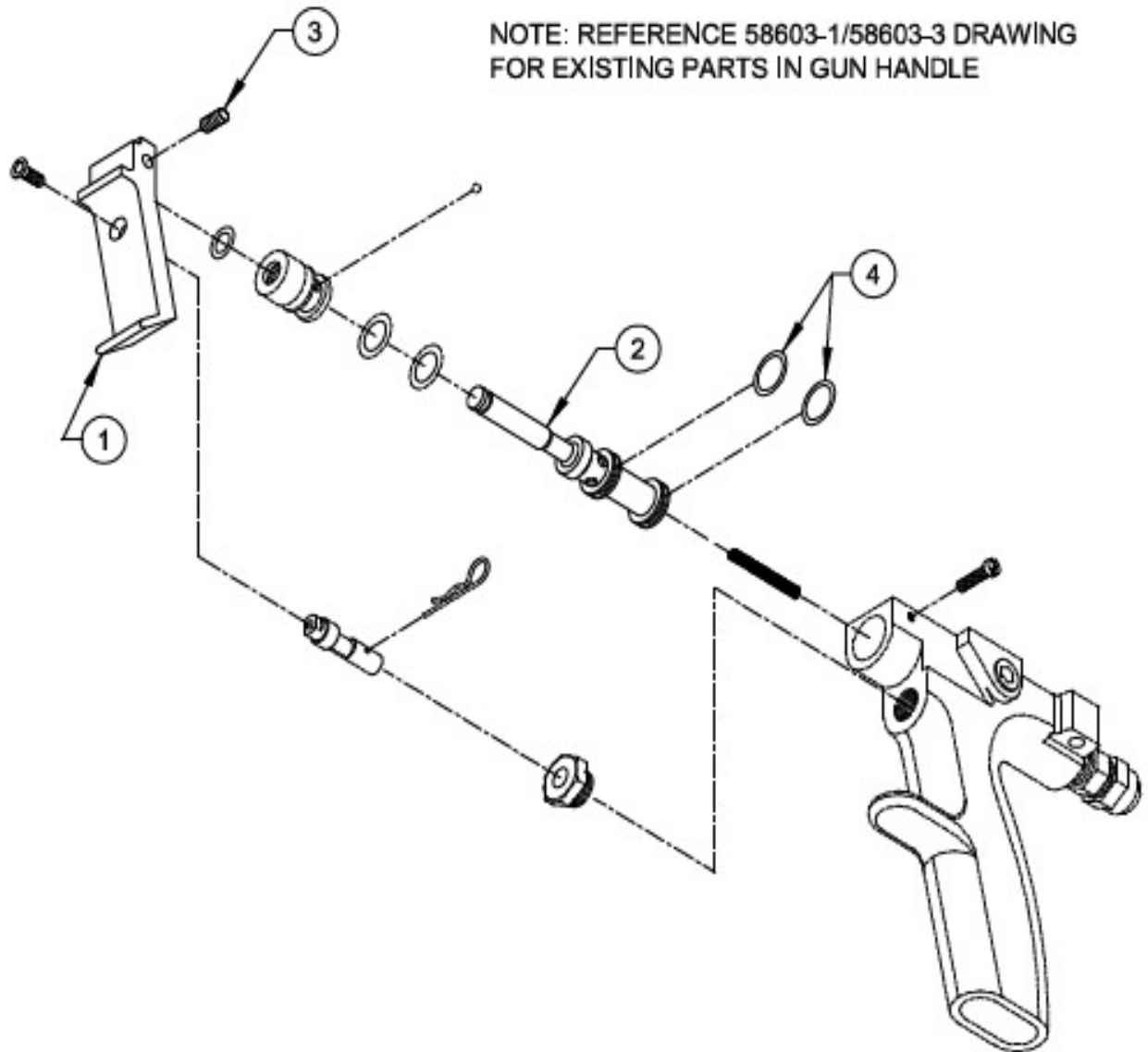
1 PC		O-A-007 O-RING	1 PC		5104-12-1 MIX HOUSING SEAL
1 PC		O-E-008 O-RING *DO NOT GREASE THIS O-RING*			
1 PC		O-E-3-904 O-RING	1 PC		5104-21-1 SPLIT SEAL
1 PC		O-S-5-125			
1 PC		O-S-3-903 O-RING	2 PCS		5104-7-1 PACKING RING
1 PC		O-D-010 O-RING	1 PC		5104-5-1 TEFLON RESIN SEAL
2 PCS		O-U-011 O-RING	1 PC		5104-6-1 TEFLON CATALYST SEAL
2 PCS		O-U-109 O-RING			
2 PCS		O-V-013 O-RING	1 PC		VPG-1003 MIXER ELEMENT
3 PCS		O-V-020 O-RING	1 PC		VPG-1002 DIFFUSER
1 PC		5104-13-1 INJECTOR SEAL	1 PC		6705-1-1 PACKING BIT
2 PCS		7304-3-1 NYLON SEAL			
4 PCS		5106-3-1 GUN BLOCK SEAL			
2 PCS		5104-3-1 SECONDARY SEAL			
1 PC		5104-26-1 FLUSH VALVE SEAL			

58666-1  
MAJOR REPAIR KIT – PRO GUN

1 PC		O-E-007 O-RING	1 PC		5104-12-1 MIX HOUSING SEAL
1 PC		O-E-008 O-RING *DO NOT GREASE THIS O-RING*			
1 PC		O-E-3-904 O-RING	1 PC		5104-21-1 SPLIT SEAL
1 PC		O-S-5-125 O-RING	2 PCS		5104-7-1 PACKING RING
1 PC		O-S-3-903 O-RING			
1 PC		O-D-010 O-RING	1 PC		5104-5-1 TEFLON RESIN SEAL
2 PCS		O-U-011 O-RING	1 PC		5104-6-1 TEFLON CATALYST SEAL
2 PCS		O-U-109 O-RING			
2 PCS		O-V-013 O-RING	1 PC		5107-27-2 CRITICAL MIXER DIMPLE IN BOTTOM
3 PCS		O-V-020 O-RING	1 PC		5107-27-3 TURBULENT MIXER
1 PC		5104-13-1 INJECTOR SEAL	1 PC		6705-1-1 PACKING BIT
2 PCS		7304-3-1 NYLON SEAL			
4 PCS		5106-3-1 GUN BLOCK SEAL			
2 PCS		5104-3-1 SECONDARY SEAL	2 PC		6705-2-1 MIXER PULLER
1 PC		5104-26-1 FLUSH VALVE SEAL			

58666-1-INT  
MAJOR REPAIR KIT – PRO GUN INTERNATIONAL

1 PC		O-A-007 O-RING	1 PC		5104-12-1 MIX HOUSING SEAL
1 PC		O-E-008 O-RING *DO NOT GREASE THIS O-RING*			
1 PC		O-E-3-904 O-RING	1 PC		5104-21-1 SPLIT SEAL
1 PC		O-S-5-125 O-RING	2 PCS		5104-7-1 PACKING RING
1 PC		O-S-3-903 O-RING			
1 PC		O-D-010 O-RING	1 PC		5104-5-1 TEFLON RESIN SEAL
2 PCS		O-U-011 O-RING	1 PC		5104-6-1 TEFLON CATALYST SEAL
2 PCS		O-U-109 O-RING			
2 PCS		O-V-013 O-RING	1 PC		5107-27-2 CRITICAL MIXER DEMPE IN BOTTOM
3 PCS		O-V-020 O-RING	1 PC		5107-27-3 TURBULENT MIXER
1 PC		5104-13-1 INJECTOR SEAL	1 PC		6705-1-1 PACKING BIT
2 PCS		7304-3-1 NYLON SEAL			
4 PCS		5106-3-1 GUN BLOCK SEAL			
2 PCS		5104-3-1 SECONDARY SEAL	2 PC		6705-2-1 MIXER PULLER
1 PC		5104-26-1 FLUSH VALVE SEAL			



## MAGNUM VENUS PLASTECH

PRO GUN TRIGGER CONVERSION KIT CPG-1007-CK

REV. - 01-12-09 BT2  
REV. A - UPDATED DRAWING FOR ACCURACY 06-01-09 BT2  
REV. B - ITEM 4 WAS O-U-012 05-09-11 BT2

---














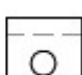
**PRO GUN TRIGGER CONVERSION KIT    CPG-1007-CK**















**PARTS LIST**

ITEM	PART NO.	QTY	DESCRIPTION
1	CPG-1007	1	TRIGGER (REPLACES 58625-1)
2	CPG-1003	1	TRIGGER VALVE (REPLACES 58647-1)
3	ATC-40108	1	SET SCREW
4	O-U-011	2	O-RING
















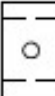
6702-016-01  
REPAIR KIT-SUPERPRO II GUN BLOCK

6702-016-01  
REPAIR KIT-SUPERPRO II GUN BLOCK















- 1 PC  0-E-007 O-RING
- 1 PC  0-E-008 O-RING  
\* DO NOT GREASE THIS O-RING
- 1 PC  0-E-3-904 O-RING
- 1 PC  0-S-5-125 O-RING
- 1 PC  0-S-3-903 O-RING
- 1 PC  5104-13-1 INJECTOR SEAL
- 2 PCS  7304-3-1 NYLON SEAL
- 1 PC  5104-21-1 SPLIT SEAL
- 2 PCS  5104-3-1 SECONDARY SEAL
- 1 PC  5104-26-1 FLUSH VALVE SEAL
- 1 PC  5104-12-1 MIX HOUSING SEAL
- 2 PCS  5104-7-1 PACKING RING
- 1 PC  5104-5-1 TEFLON RESIN SEAL
- 1 PC  5104-6-1 TEFLON CATALYST SEAL

- 1 PC  0-E-007 O-RING
- 1 PC  0-E-008 O-RING  
\* DO NOT GREASE THIS O-RING
- 1 PC  0-E-3-904 O-RING
- 1 PC  0-S-5-125 O-RING
- 1 PC  0-S-3-903 O-RING
- 1 PC  5104-13-1 INJECTOR SEAL
- 2 PCS  7304-3-1 NYLON SEAL
- 1 PC  5104-21-1 SPLIT SEAL
- 2 PCS  5104-3-1 SECONDARY SEAL
- 1 PC  5104-26-1 FLUSH VALVE SEAL
- 1 PC  5104-12-1 MIX HOUSING SEAL
- 2 PCS  5104-7-1 PACKING RING
- 1 PC  5104-5-1 TEFLON RESIN SEAL
- 1 PC  5104-6-1 TEFLON CATALYST SEAL















6702-016-01-A  
REPAIR KIT- PRO AUTOMATIC KIT

- 1 PC  O-B-010 O-RING
- 1 PC  O-E-007 O-RING
- 1 PC  O-E-008 O-RING  
\* DO NOT GREASE THIS O-RING
- 1 PC  O-E-3-904 O-RING
- 1 PC  O-S-5-125 O-RING
- 1 PC  O-S-3-903 O-RING
- 1 PC  5104-13-1 INJECTOR SEAL
- 3 PCS  7304-3-1 NYLON SEAL
- 1 PCS  58718-1 BACK UP RING
- 1 PC  5104-21-1 SPLIT SEAL
- 2 PCS  5104-3-1 SECONDARY SEAL
- 1 PC  5104-26-1 FLUSH VALVE SEAL
- 1 PC  5104-12-1 MIX HOUSING SEAL
- 2 PCS  5104-7-1 PACKING RING
- 1 PC  5104-5-1 TEFLON RESIN SEAL
- 1 PC  5104-6-1 TEFLON CATALYST SEAL












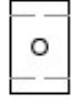












6702-016-01-INT  
REPAIR KIT – SUPERPRO II  
GUN BLOCK INTERNATIONAL

- 1 PC  0-A-007 O-RING
- 1 PC  0-E-008 O-RING  
\* DO NOT GREASE THIS O-RING
- 1 PC  0-E-3-904 O-RING
- 1 PC  0-S-5-125 O-RING
- 1 PC  0-S-3-903-903 O-RING
- 1 PC  5104-13-1 INJECTOR SEAL
- 2 PCS  7304-3-1 NYLON SEAL
- 1 PC  5104-21-1 SPLIT SEAL
- 2 PCS  5104-3-1 SECONDARY SEAL
- 1 PC  5104-26-1 FLUSH VALVE SEAL
- 1 PC  5104-12-1 MIX HOUSING SEAL
- 2 PCS  5104-7-1 PACKING RING
- 1 PC  5104-5-1 TEFLON RESIN SEAL
- 1 PC  5104-6-1 TEFLON CATALYST SEAL












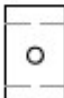







6702-016-01-INT  
REPAIR KIT – SUPERPRO II  
GUN BLOCK INTERNATIONAL

- 1 PC  0-A-007 O-RING
- 1 PC  0-E-008 O-RING  
\* DO NOT GREASE THIS O-RING
- 1 PC  0-E-3-904 O-RING
- 1 PC  0-S-5-125 O-RING
- 1 PC  0-S-3-903 O-RING
- 1 PC  5104-13-1 INJECTOR SEAL
- 2 PCS  7304-3-1 NYLON SEAL
- 1 PC  5104-21-1 SPLIT SEAL
- 2 PCS  5104-3-1 SECONDARY SEAL
- 1 PC  5104-26-1 FLUSH VALVE SEAL
- 1 PC  5104-12-1 MIX HOUSING SEAL
- 2 PCS  5104-7-1 PACKING RING
- 1 PC  5104-5-1 TEFLON RESIN SEAL
- 1 PC  5104-6-1 TEFLON CATALYST SEAL













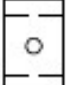
CPP-3000-RK  
MAJOR REPAIR KIT – PRO PUTTY GUN

1 PC		O-E-007 O-RING	1 PC		5104-12-1 MIX HOUSING SEAL
1 PC		O-E-008 O-RING *DO NOT GREASE THIS O-RING*			
1 PC		O-E-3-904 O-RING	1 PC		5104-21-1 SPLIT SEAL
1 PC		O-S-5-125			
1 PC		O-S-3-903 O-RING	2 PCS		5104-7-1 PACKING RING
1 PC		O-D-010 O-RING	1 PC		5104-5-1 TEFLON RESIN SEAL
2 PCS		O-U-011 O-RING	1 PC		5104-6-1 TEFLON CATALYST SEAL
2 PCS		O-U-109 O-RING			
2 PCS		O-V-013 O-RING			
					2 PCS VPG-1003 MIXER ELEMENT
3 PCS		O-V-020 O-RING	3 PCS		02030-1 SEAL
1 PC		5104-13-1 INJECTOR SEAL			
2 PCS		7304-3-1 NYLON SEAL	1 PC		06286 SEAL
4 PCS		5106-3-1 GUN BLOCK SEAL			
2 PCS		5104-3-1 SECONDARY SEAL	1 PC		6705-1-1 PACKING BIT
1 PC		5104-26-1 FLUSH VALVE SEAL			














CPP-6000-RK  
REPAIR KIT-PUTTY GUN BLOCK

- |       |   |   |       |   |                               |
|-------|---|---|-------|---|-------------------------------|
| 1 PC  |    | O-E-007 O-RING                                | 2 PCS |    | 5104-3-1 SECONDARY SEAL       |
| 1 PC  |    | O-E-008 O-RING<br>* DO NOT GREASE THIS O-RING | 1 PC  |    | 5104-26-1 FLUSH VALVE SEAL    |
| 1 PC  |    | O-E-3-904 O-RING                              | 1 PC  |   | 5104-12-1 MIX HOUSING SEAL    |
| 1 PC  |    | O-S-5-125 O-RING                              | 2 PCS |    | 5104-7-1 PACKING RING         |
| 1 PC  |    | O-S-3-903 O-RING                              | 1 PC  |    | 5104-5-1 TEFLON RESIN SEAL    |
| 1 PC  |    | O-D-010 O-RING                                | 1 PC  |   | 5104-6-1 TEFLON CATALYST SEAL |
| 2 PCS |    | O-U-011 O-RING                                | 4 PCS |  | 5106-3-1 GUN BLOCK SEAL       |
| 2 PCS |    | O-U-109 O-RING                                |       |   |                               |
| 2 PCS |  | O-V-013 O-RING                                |       |   |                               |
| 3 PCS |  | O-V-020 O-RING                                |       |   |                               |
| 1 PC  |  | 5104-13-1 INJECTOR SEAL                       |       |   |                               |
| 1 PC  |  | 5104-21-1 SPLIT SEAL                          |       |   |                               |











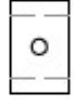







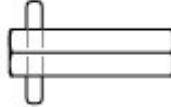




CPP-6100-RK  
REPAIR KIT-PUTTY GUN BLOCK

- 1 PC  O-E-007 O-RING
- 1 PC  O-E-008 O-RING  
\* DO NOT GREASE THIS O-RING
- 1 PC  O-E-3-904 O-RING
- 1 PC  O-S-5-125 O-RING
- 1 PC  O-S-3-903 O-RING
- 1 PC  5104-13-1 INJECTOR SEAL
- 1 PC  5104-21-1 SPLIT SEAL
- 2 PCS  5104-3-1 SECONDARY SEAL
- 1 PC  5104-26-1 FLUSH VALVE SEAL
- 1 PC  5104-12-1 MIX HOUSING SEAL
- 2 PCS  5104-7-1 PACKING RING
- 1 PC  5104-5-1 TEFLON RESIN SEAL
- 1 PC  5104-6-1 TEFLON CATALYST SEAL


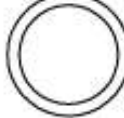







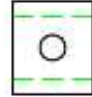

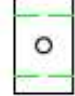






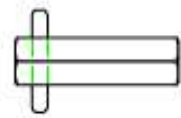




CPP-6100-RK  
REPAIR KIT-PUTTY GUN BLOCK

- 1 PC  O-E-007 O-RING
- 1 PC  O-E-008 O-RING  
\* DO NOT GREASE THIS O-RING
- 1 PC  O-E-3-904 O-RING
- 1 PC  O-S-5-125 O-RING
- 1 PC  O-S-3-903 O-RING
- 1 PC  5104-13-1 INJECTOR SEAL
- 1 PC  5104-21-1 SPLIT SEAL
- 2 PCS  5104-3-1 SECONDARY SEAL
- 1 PC  5104-26-1 FLUSH VALVE SEAL
- 1 PC  5104-12-1 MIX HOUSING SEAL
- 2 PCS  5104-7-1 PACKING RING
- 1 PC  5104-5-1 TEFLON RESIN SEAL
- 1 PC  5104-6-1 TEFLON CATALYST SEAL

CPW-4000-RK  
MAJOR REPAIR KIT – PRO FIT WETOUT GUN

1 PC		O-E-007 O-RING	1 PC		5104-12-1 MIX HOUSING SEAL
1 PC		O-E-008 O-RING *DO NOT GREASE THIS O-RING*			
1 PC		O-E-3-904 O-RING	1 PC		5104-21-1 SPLIT SEAL
1 PC		O-S-5-125	2 PCS		5104-7-1 PACKING RING
1 PC		O-S-3-903 O-RING	1 PC		5104-5-1 TEFLON RESIN SEAL
1 PC		O-D-010 O-RING	1 PC		5104-6-1 TEFLON CATALYST SEAL
2 PCS		O-U-011 O-RING			
2 PCS		O-U-109 O-RING			
2 PCS		O-V-013 O-RING	1 PC		TRT-1018-1/4 MIXER ELEMENT
3 PCS		O-V-020 O-RING	1 PC		02030-1 SEAL
1 PC		5104-13-1 INJECTOR SEAL	1 PC		6705-1-1 PACKING BIT
2 PCS		7304-3-1 NYLON SEAL			
4 PCS		5106-3-1 GUN BLOCK SEAL			
2 PCS		5104-3-1 SECONDARY SEAL			
1 PC		5104-26-1 FLUSH VALVE SEAL			

CPW-1000-SBC-RK  
 MAJOR REPAIR KIT – PRO FIT WETOUT GUN

1 PC		O-A-007 O-RING	1 PC		5104-12-1 MIX HOUSING SEAL
1 PC		O-E-008 O-RING *DO NOT GREASE THIS O-RING*			
1 PC		O-E-3-904 O-RING	1 PC		5104-21-1 SPLIT SEAL
1 PC		O-S-5-125			
1 PC		O-S-3-903 O-RING	2 PCS		5104-7-1 PACKING RING
1 PC		O-D-010 O-RING	1 PC		5104-5-1 TEFLON RESIN SEAL
2 PCS		O-U-011 O-RING	1 PC		5104-6-1 TEFLON CATALYST SEAL
2 PCS		O-U-109 O-RING			
2 PCS		O-V-013 O-RING	1 PC		05224 MIXER ELEMENT
3 PCS		O-V-020 O-RING	3 PCS		02030-1 SEAL
1 PC		5104-13-1 INJECTOR SEAL	1 PC		6705-1-1 PACKING BIT
2 PCS		7304-3-1 NYLON SEAL			
4 PCS		5106-3-1 GUN BLOCK SEAL			
2 PCS		5104-3-1 SECONDARY SEAL			
1 PC		5104-26-1 FLUSH VALVE SEAL			



**Magnum Industries Europe Ltd. t/a Magnum Venus Products**

*Official Distributor of MVP Range in the United Kingdom and Ireland*

Unit 22a, Navigation Drive, Hurst Business Park,  
Brierley Hill, West Midlands, DY5 1UT, UK.

**phone:** +44 (0)1384 486222  
**email:** [info@mvpeurope.co.uk](mailto:info@mvpeurope.co.uk)  
**website:** [www.mvpeurope.co.uk](http://www.mvpeurope.co.uk)