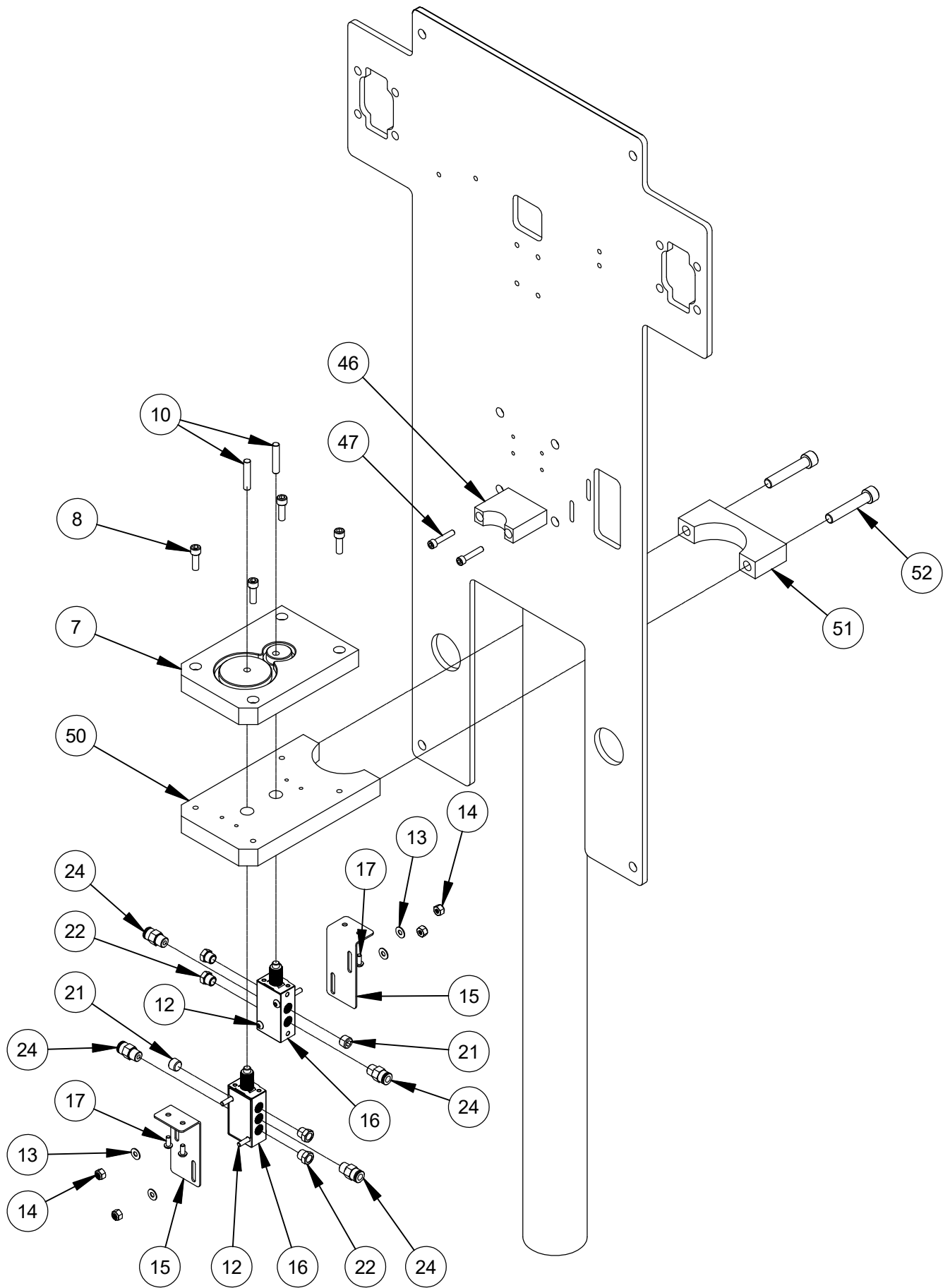


# MAGNUM VENUS PRODUCTS

4:1 CARTRIDGE FILLING MACHINE

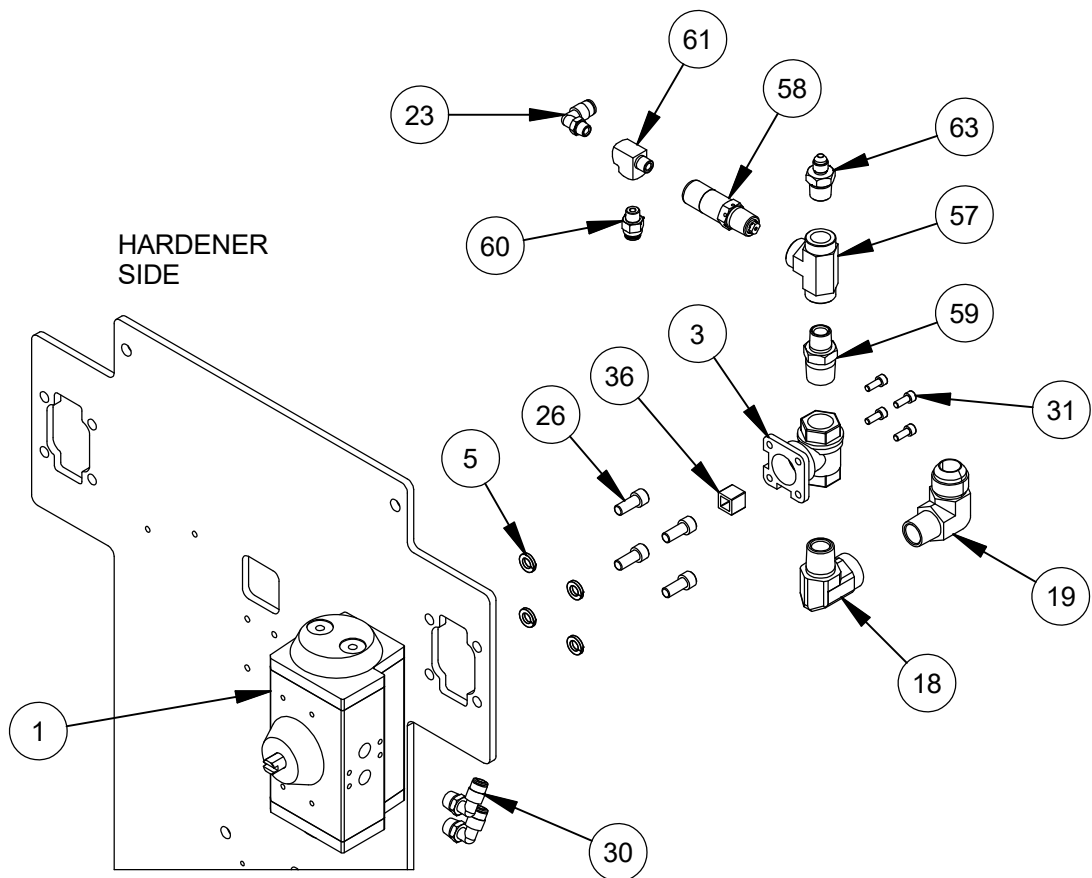
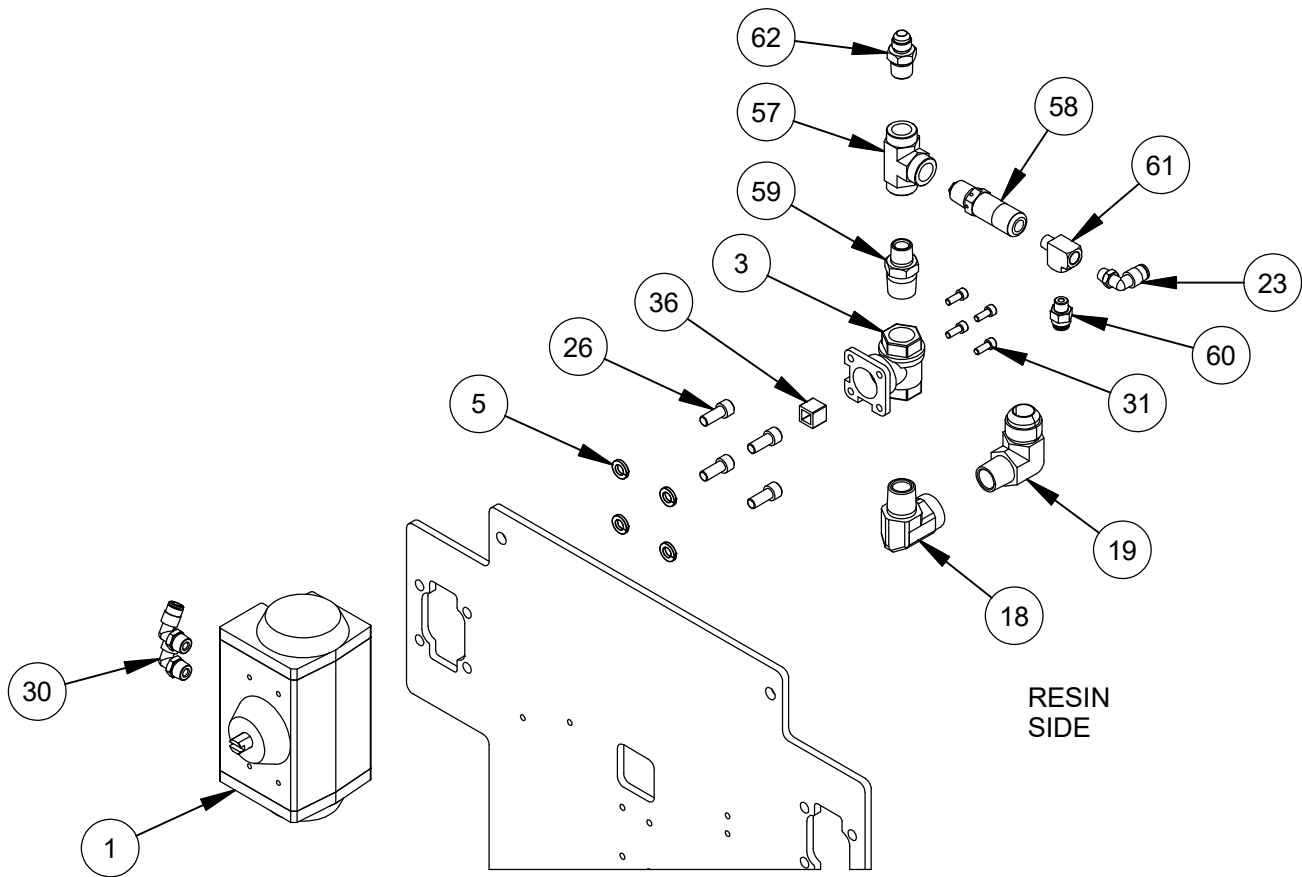
CFS-1000-E



# MAGNUM VENUS PRODUCTS

4:1 CARTRIDGE FILLING MACHINE

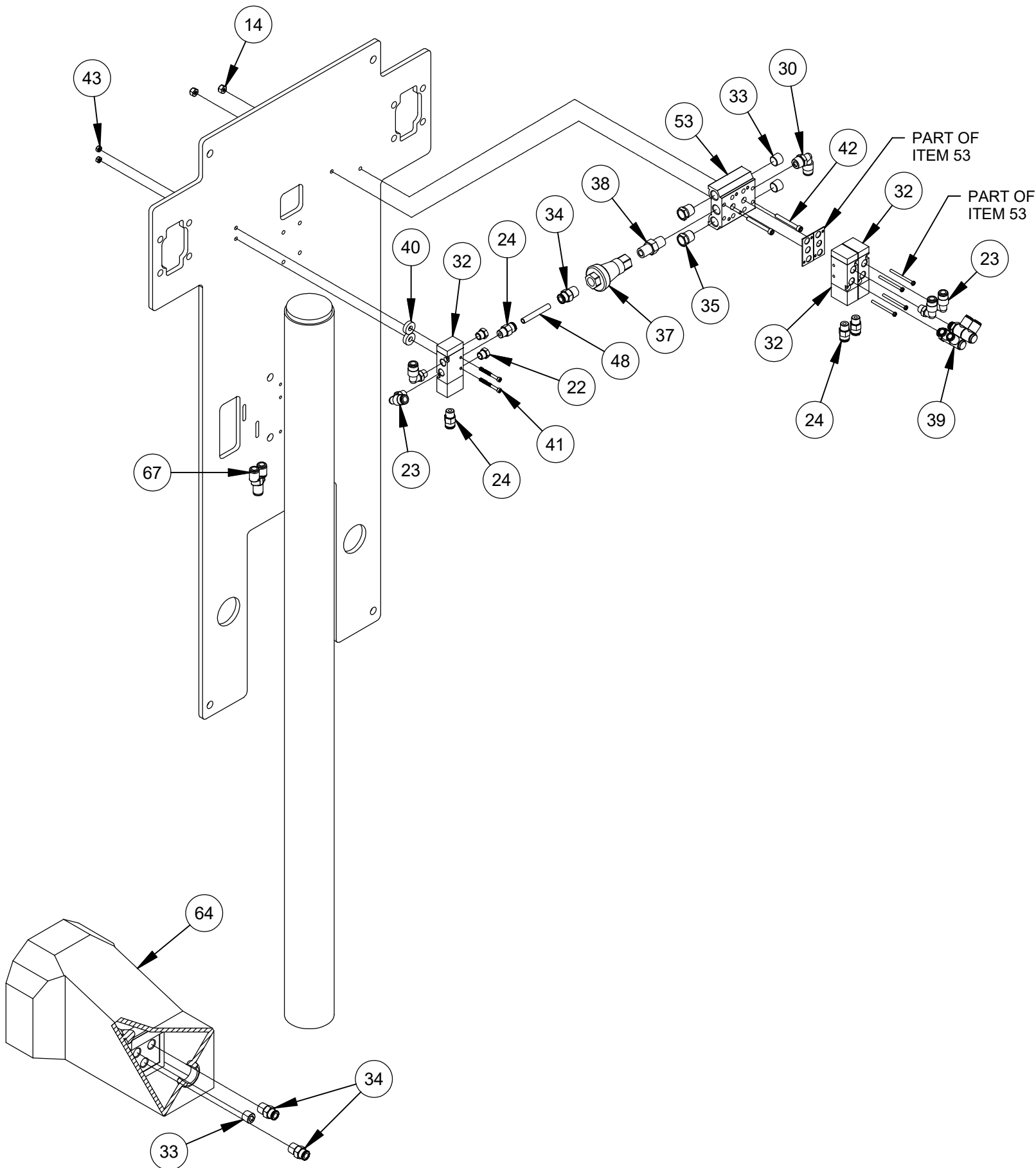
CFS-1000-E



# MAGNUM VENUS PRODUCTS

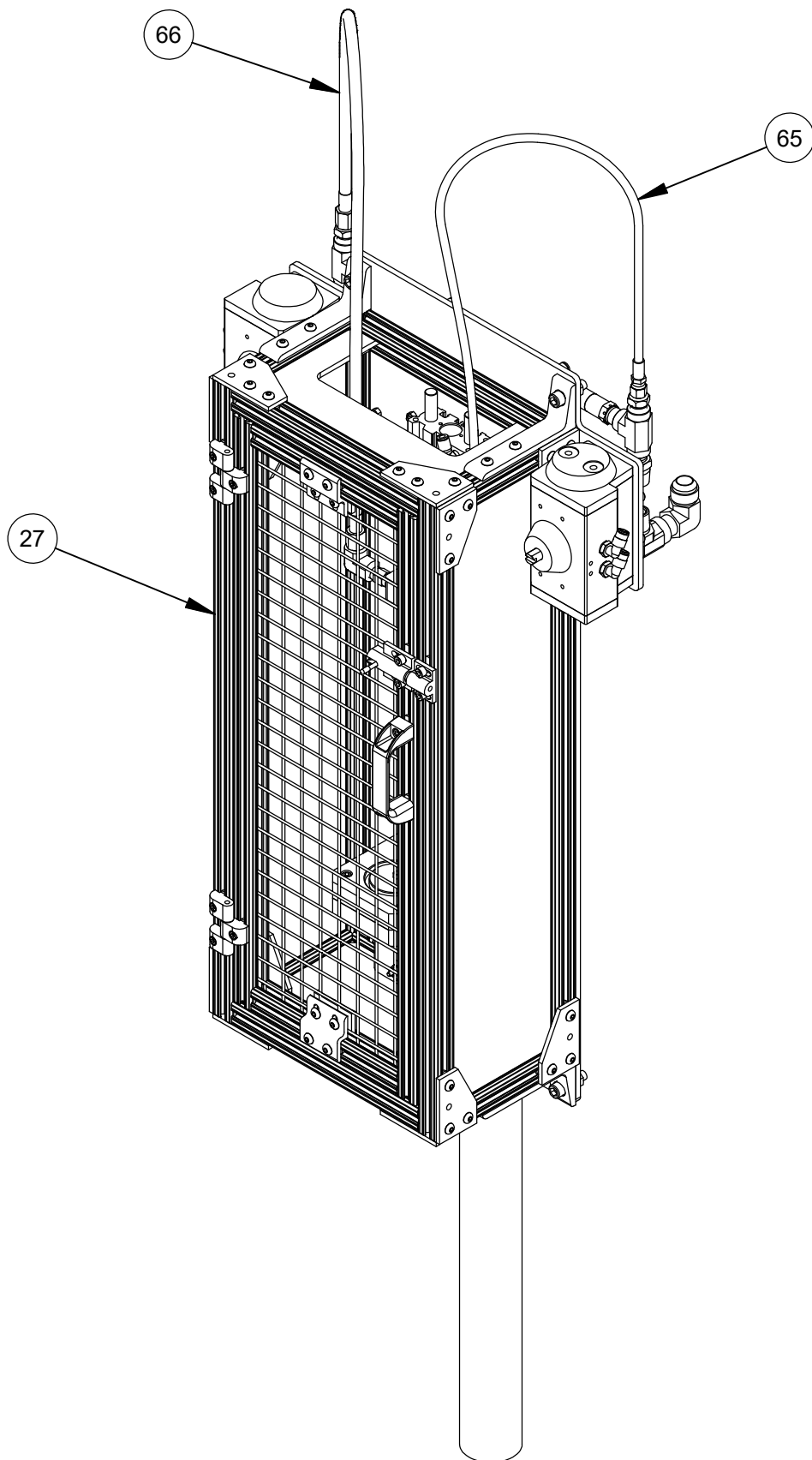
4:1 CARTRIDGE FILLING MACHINE

CFS-1000-E



# MAGNUM VENUS PRODUCTS

|                               |            |
|-------------------------------|------------|
| 4:1 CARTRIDGE FILLING MACHINE | CFS-1000-E |
|-------------------------------|------------|



# MAGNUM VENUS PRODUCTS

4:1 CARTRIDGE FILLING MACHINE

CFS-1000-E

| Parts List |                 |     |                          | Parts List |                  |     |                                 |
|------------|-----------------|-----|--------------------------|------------|------------------|-----|---------------------------------|
| ITEM       | PART NUMBER     | QTY | DESCRIPTION              | ITEM       | PART NUMBER      | QTY | DESCRIPTION                     |
| 1          | CFS-1001        | 2   | ACTUATOR - BALL VALVE    | 47         | F-CS-1024-16     | 2   | F-CS-1024-16                    |
| 2          | CFS-1003        | 1   | LINEAR ACTUATOR          | 48         | MPM-2052-1       | .25 | TUBE                            |
| 3          | CFS-1002        | 2   | BALL VALVE               |            |                  | FT  |                                 |
| 4          | F-CS-1032-16    | 4   | CAP SCREW                | 49         | O-E-010          | 2   | O-RING                          |
| 5          | F-SW-05         | 8   | LOCK WASHER              | 50         | CFS-1012         | 1   | BASE PLATE - 10:1               |
| 6          | F-CS-04C-16     | 2   | SOCKET HEAD CAP SCREW    | 51         | CFS-1008         | 1   | CLAMP COLLAR                    |
| 7          | CFS-1053        | 1   | CARTRIDGE BOTTLE SUPPORT | 52         | F-CS-06C-32      | 2   | ALLEN CAP SCREW                 |
|            |                 |     |                          | 53         | PNE-MAN-102      | 1   | MANIFOLD - 2 STATION            |
| 8          | F-CS-04C-12     | 4   | CAP SCREW                | 54         | CV-CFS-04-SS     | 2   | CHECK VALVE                     |
| 10         | F-DP-04-20      | 2   | DOWEL PIN                | 55         | PF-SE-04F-04J-SS | 1   | STREET ELBOW                    |
| 11         | PNE-4W-104      | 1   | 4-WAY VALVE              |            |                  |     |                                 |
| 12         | F-BHCS-832-20   | 6   | BUTTON HEAD CAP SCREW    | 56         | PF-SE-04F-06J-SS | 1   | STREET ELBOW                    |
| 13         | F-FW-832        | 6   | FLAT WASHER              |            |                  |     |                                 |
| 14         | F-LN-832        | 8   | LOCK NUT                 | 57         | PF-FT-06-SS      | 2   | FEMALE TEE                      |
| 15         | CFS-1019        | 2   | VALVE BRACKET            | 58         | PLV-1000-2700    | 2   | PRESSURE LIMIT VALVE - 2700 psi |
| 16         | PNE-4W-105      | 2   | 4-WAY VALVE              |            |                  |     |                                 |
| 17         | F-BHCS-832-06   | 4   | BUTTON HEAD CAP SCREW    | 59         | PF-HN-06-08-SS   | 2   | HEX NIPPLE                      |
| 18         | PF-SE-08-SS     | 2   | STREET ELBOW             | 60         | PNE-FCO-101      | 2   | FLOW CONTROL ORIFICE            |
| 19         | PF-ME-08-12J-SS | 2   | MALE ELBOW               | 61         | PF-ST-02-BR      | 2   | TEE FITTING                     |
| 20         | PNE-FCV-101     | 2   | FLOW CONTROL VALVE       | 62         | PF-HN-06-06J-SS  | 1   | HEX NIPPLE                      |
| 21         | PF-AP-02        | 3   | PIPE PLUG                | 63         | PF-HN-06-04J-SS  | 1   | HEX NIPPLE                      |
| 22         | 00403           | 8   | BREATHER VENT            | 64         | FPD-2001         | 1   | FOOT PEDAL WITH GUARD           |
| 23         | MPH-2539        | 7   | MALE ELBOW               | 65         | HCSS-044J4J-3    | 1   | SS HOSE                         |
| 24         | 07223           | 8   | MALE CONNECTOR           | 66         | HCSS-0606J-3     | 1   | SS HOSE                         |
| 25         | CFS-1011        | 1   | CARTRIDGE FILLING PANEL  | 67         | 06946            | 1   | POLY Y FITTING                  |
| 26         | F-CS-05C-12     | 8   | CAP SCREW                |            |                  |     |                                 |
| 27         | CFS-GRD-100     | 1   | CE NORM GUARD            |            |                  |     |                                 |
| 28         | F-CS-1024-32    | 4   | CAP SCREW                |            |                  |     |                                 |
| 29         | F-LN-1024       | 4   | NYLOCK NUT               |            |                  |     |                                 |
| 30         | 07233           | 5   | MALE POLY ELBOW          |            |                  |     |                                 |
| 31         | F-CS-1032-08    | 8   | CAP SCREW                |            |                  |     |                                 |
| 32         | PNE-4W-106      | 3   | 4-WAY VALVE              |            |                  |     |                                 |
| 33         | PF-AP-04        | 3   | ALLEN PLUG               |            |                  |     |                                 |
| 34         | 07224           | 3   | MALE CONNECTOR           |            |                  |     |                                 |
| 35         | MPM-2568        | 2   | BREATHER VENT            |            |                  |     |                                 |
| 36         | CFS-1004        | 2   | VALVE ADAPTER            |            |                  |     |                                 |
| 37         | PNE-IPR-101     | 1   | REGULATOR 45 PSI         |            |                  |     |                                 |
| 38         | PF-HN-04        | 1   | HEX NIPPLE               |            |                  |     |                                 |
| 39         | PTF90-02-04X2   | 3   | TUBE FITTING             |            |                  |     |                                 |
| 40         | F-FW-04SE       | 2   | SPACER                   |            |                  |     |                                 |
| 41         | F-CS-540-20     | 2   | CAP SCREW                |            |                  |     |                                 |
| 42         | F-CS-832-24     | 2   | CAP SCREW                |            |                  |     |                                 |
| 43         | F-LN-540        | 2   | NYLOCK NUT               |            |                  |     |                                 |
| 44         | CFS-1006        | 1   | NOZZLE ASSEMBLY          |            |                  |     |                                 |
| 45         | CFS-1005        | 1   | NOZZLE HOLDER            |            |                  |     |                                 |
| 46         | CFS-1057        | 1   | ALIGNMENT BLOCK          |            |                  |     |                                 |

# MAGNUM VENUS PRODUCTS

4:1 CARTRIDGE FILLING MACHINE

CFS-1000-E