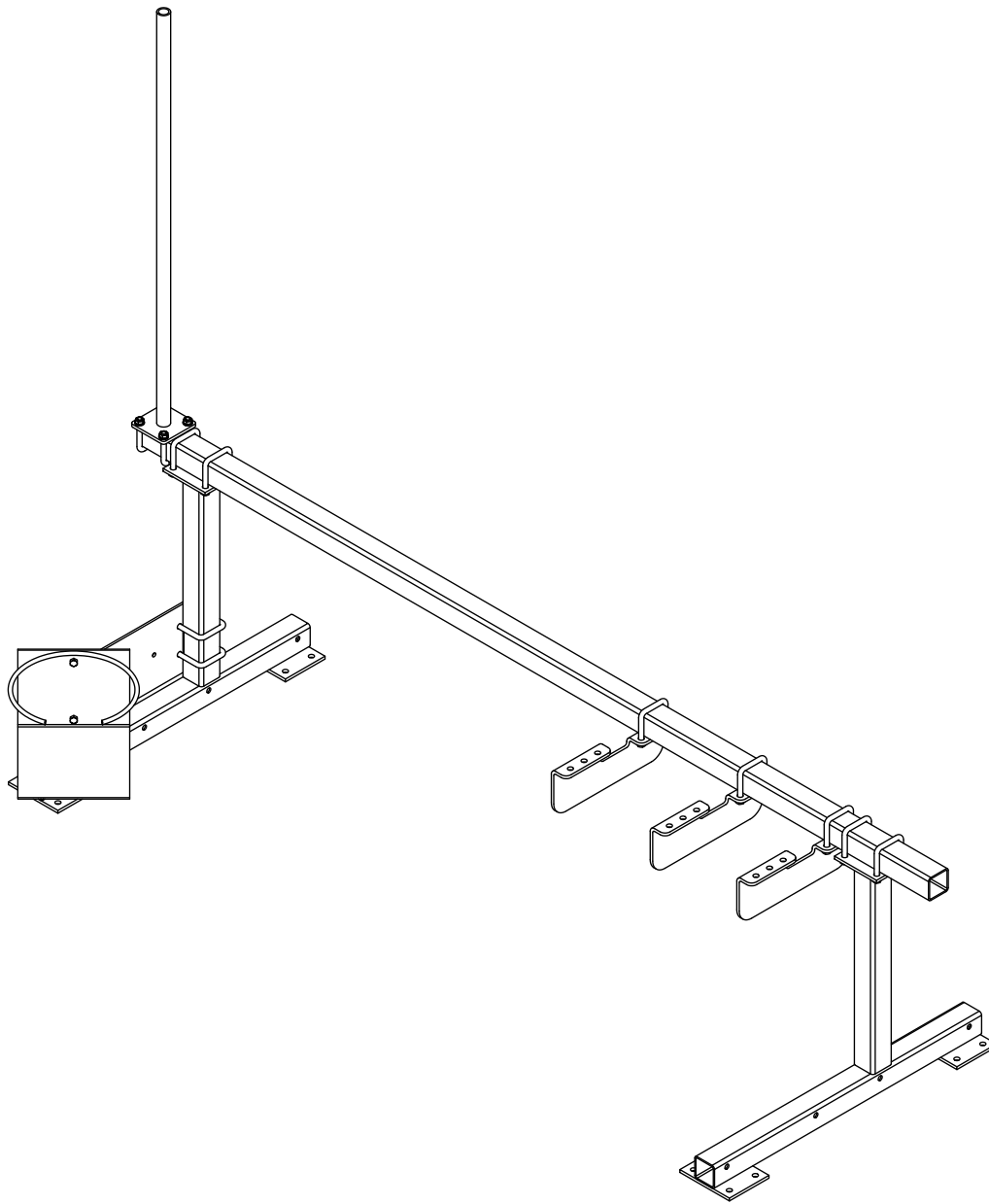


MAGNUM VENUS PRODUCTS

<p>MULTICOLOR TRACK ASSEMBLY - 5 OR 6 COLOR INTERNAL MIX</p>	<p>MVG-TA-600</p>
--	-------------------

Parts List			
ITEM	PART NUMBER	QTY	DESCRIPTION
1	1101-3-01	2	END FRAME WELDMENT
2	1101-5-3	1	MOUNTING BEAM
3	1101-4-01	1	MOUNT COLUMN WELDMENT
4	1101-7-1	3	MOUNT BRACKET
5	6101-5-1	1	MOUNTING ADAPTER
6	6101-4-01	1	FLUSH TANK BRACKET
7	F-SQUB-06C-32	11	U-BOLT
8	F-SW-06	22	LOCK WASHER
9	F-HN-06C	22	HEX NUT
10	F-HB-05C-16	2	HEX BOLT
11	F-SW-05	2	LOCK WASHER
12	F-HN-05C	2	HEX NUT



MAGNUM VENUS PRODUCTS

MULTICOLOR TRACK ASSEMBLY - 5 OR 6 COLOR INTERNAL MIX

MVG-TA-600