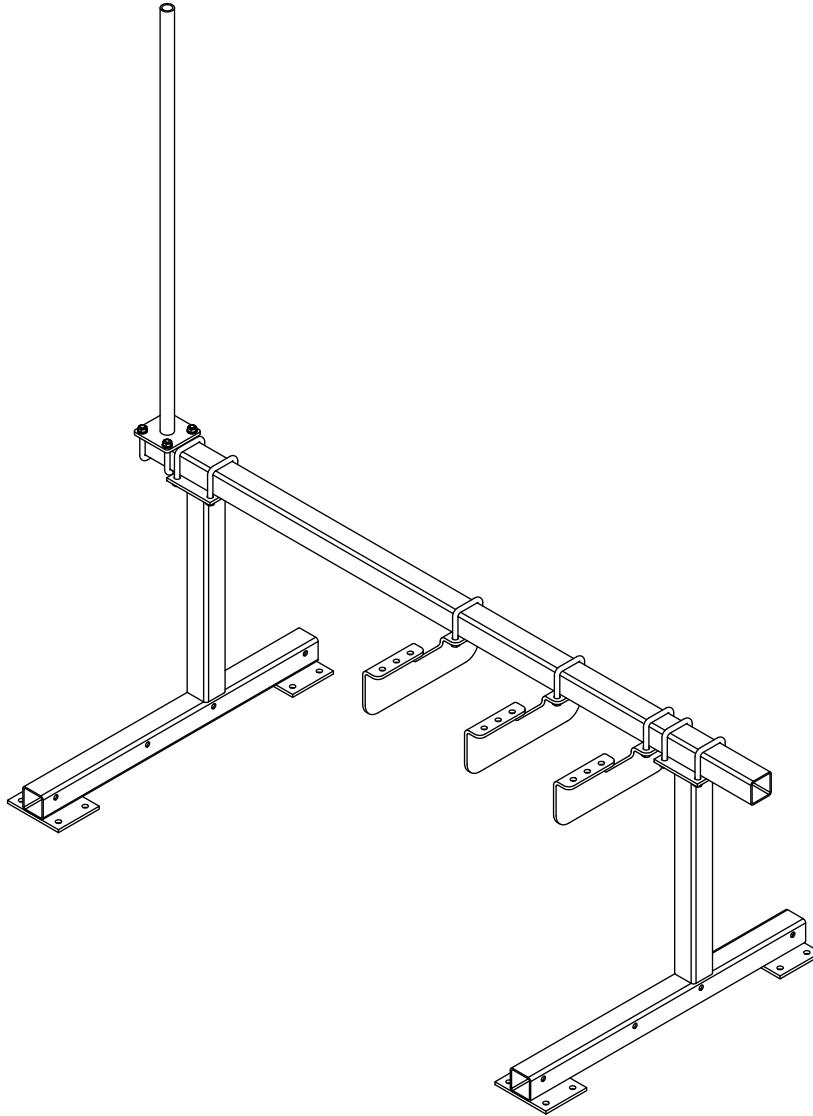


# MAGNUM VENUS PRODUCTS

MULTICOLOR TRACK ASSEMBLY - 2 TO 4 COLOR EXTERNAL MIX

MVE-TA-400

Parts List			
ITEM	PART NUMBER	QTY	DESCRIPTION
1	1101-3-01	2	END FRAME WELDMENT
2	1101-5-1	1	MOUNTING BEAM
3	1101-4-01	1	MOUNT COLUMN WELDMENT
4	1101-7-1	3	MOUNT BRACKET
5	F-SQUB-06C-32	9	U-BOLT
6	F-SW-06	18	LOCK WASHER
7	F-HN-06C	18	HEX NUT



# MAGNUM VENUS PRODUCTS

MULTICOLOR TRACK ASSEMBLY - 2 TO 4 COLOR EXTERNAL MIX

MVE-TA-400