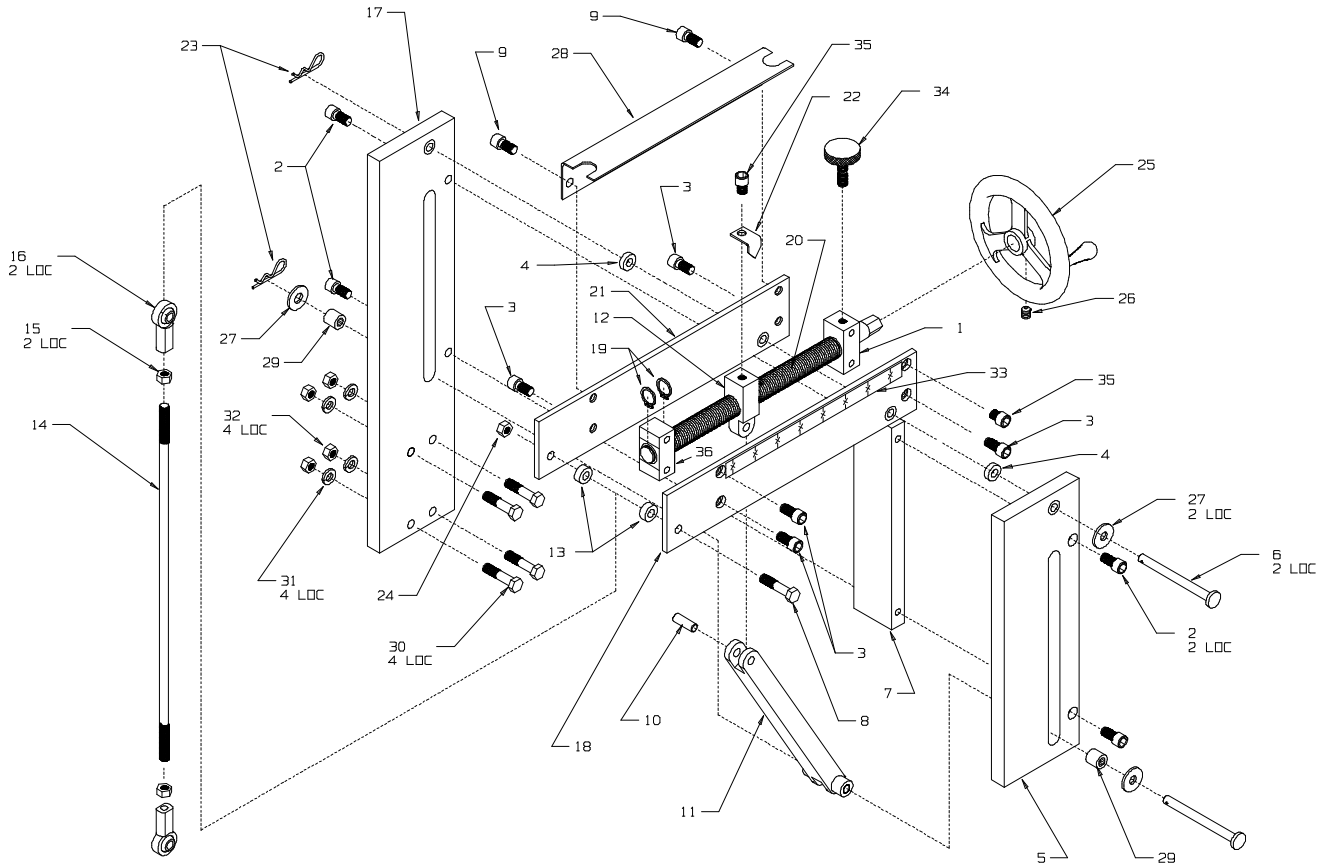


BOS-3100-R CATALYST PROPORTIONER ASSEMBLY
11-12-96 (BOS FILE: IPB\BOS3100R)



BOS-3100-R
CATALYST PROPORTIONER ASSEMBLY (RIGHT SIDE)
11-12-96
PARTS KEY

ITEM	PART #	DESCRIPTION	QTY	REVISIONS
1	BOS-3041	LEAD SCREW MOUNT	1	8-20-96
2	F-CS-04C-12	CAP SCREW	4	1. QTY. FOR ITEM 1. BOS-3041 WAS 2 PCS.
3	F-CS-04C-06	CAP SCREW	5	2. ITEM 19. BOS-3056 WAS BOS-3031.
4	BOS-3008	SPACER	2	3. ITEM 20. BOS-3054 WAS BOS-3010.
5	BOS-3101-01-R	GUIDE BRACKET	1	4. ADDED ITEM 36. BOS-3055.
6	BOS-3052	RETAINING ROD	2	11-12-96
7	BOS-3002	SPACING BLOCK	1	1. CHANGED THE SCREW THAT HOLDS ITEM 22.
8	F-HB-04C-24	HEX BOLT	1	TO ITEM 12. FROM AN F-CS-04C-08 TO AN
9	F-CS-04C-08	CAP SCREW	2	F-CS-04C-04.
10	BOS-3014	LINKAGE PIN	1	
11	BOS-3040	DRIVE LINKAGE	1	
12	BOS-3011	ADJUSTING BLOCK	1	
13	BOS-3009	SPACER	2	
14	BOS-3027	DRIVE ROD	1	
15	F-HN-04F	HEX NUT	2	
16	MS-1022	EYE BEARING	2	
17	BOS-3103-01-R	GUIDE BRACKET	1	
18	BOS-3004-01-R	DRIVE ARM	1	
19	BOS-3056	RETAINING RING	2	
20	BOS-3054	LEAD SCREW	1	
21	BOS-3005-01-R	DRIVE ARM	1	
22	BOS-3029	POINTER	1	
23	CSP1-9B	HITCH PIN	2	
24	F-LN-04C	HEX NUT	1	
25	BOS-3034	HAND WHEEL	1	
26	F-SS-05C-06	SET SCREW	1	
27	F-QSW-04	FLAT WASHER	3	
28	BOS-3037-R	DUST COVER	1	
29	BOS-3104	BEARING	2	
30	F-HB-04C-24-GR5	MOUNTING BOLT	4	
31	F-SW-04	LOCK WASHER	4	
32	F-HN-04C	HEX NUT	4	
33	BOS-3026-B-R	SCALE-4.6 GPM	1	
34	BOS-3015	THUMB SCREW	1	
35	F-CS-04C-04	CAP SCREW	2	
36	BOS-3055	LEAD SCREW MOUNT	1	