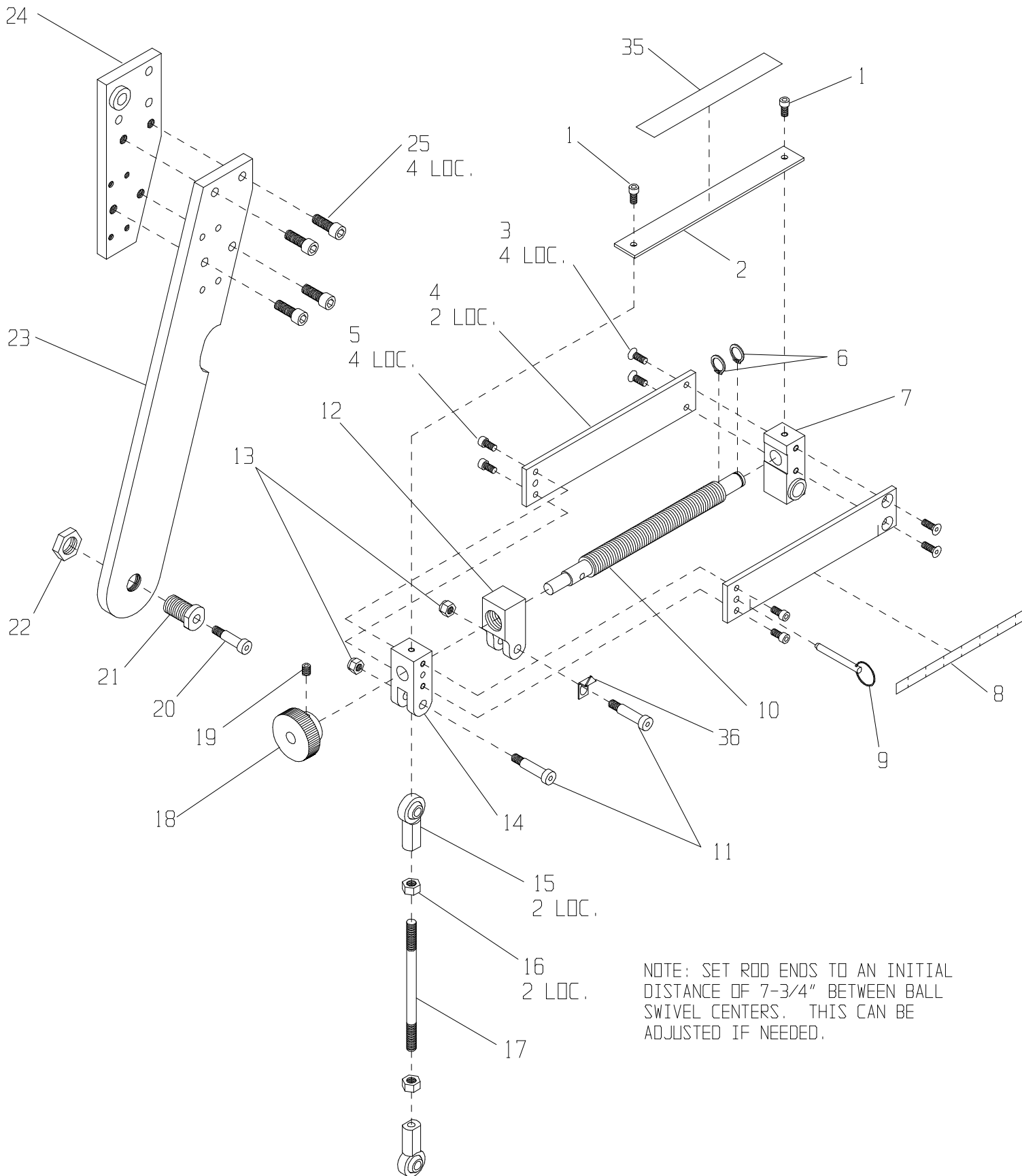


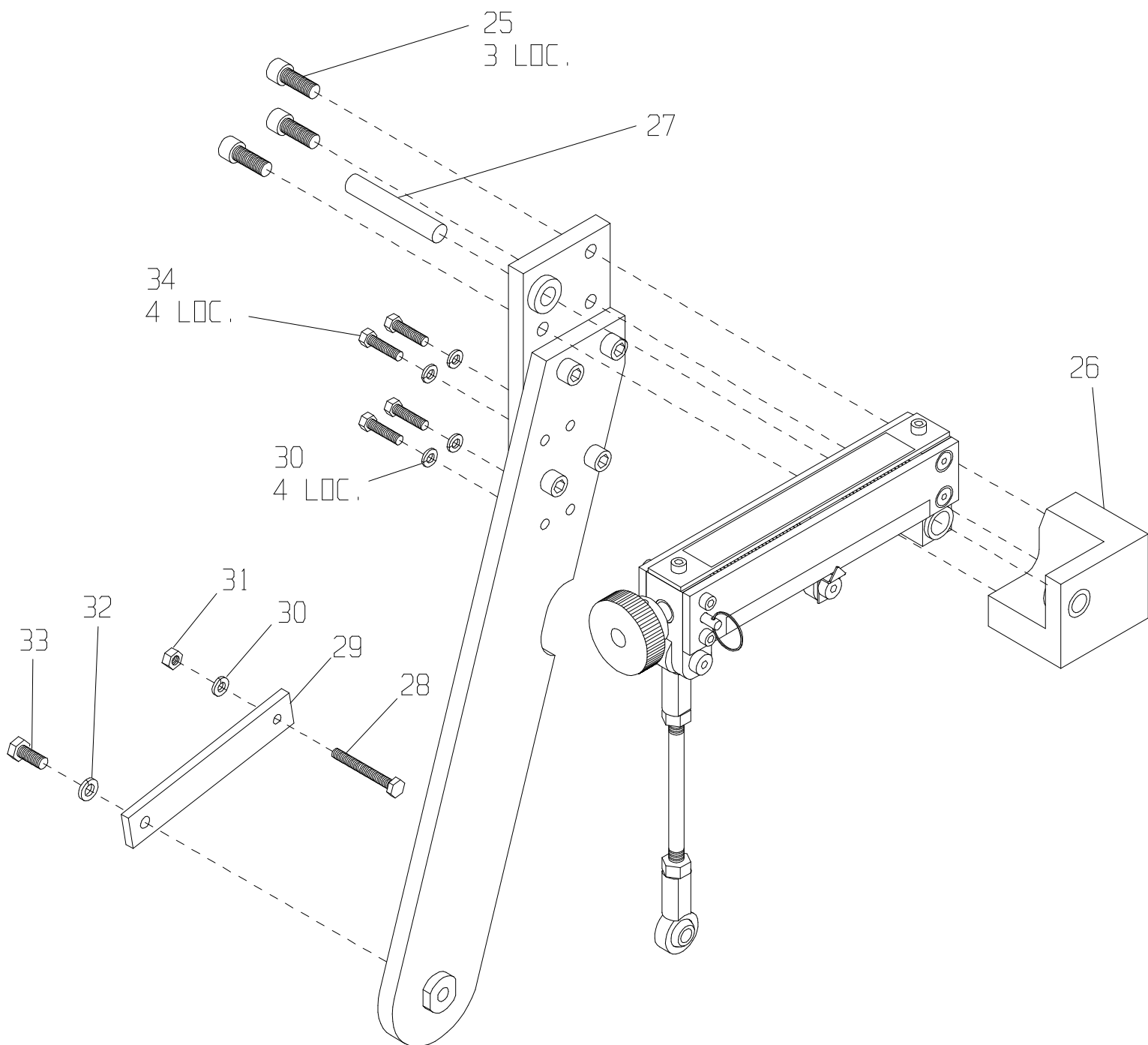
APS-3100-R ADVANCED PROPORTIONER

03-23-16 (BT2)



NOTE: SET ROD ENDS TO AN INITIAL DISTANCE OF 7-3/4" BETWEEN BALL SWIVEL CENTERS. THIS CAN BE ADJUSTED IF NEEDED.

APS-3100-R
ADVANCED PROPORTIONER
PAGE 2



**APS-3100-R
 ADVANCED PROPORTIONER
 03-23-16
 CUSTOMER PARTS KEY**

ITEM	PART #	DESCRIPTION	QTY
1	F-CS-04C-08	CAP SCREW	2
2	APS-1012	COVER	1
3	F-FHCS-04C-12	FLAT HEAD SCREW	4
4	APS-1013	SIDE PLATE	2
5	F-CS-04C-12	CAP SCREW	4
6	APS-1015	SNAP RING	2
7	APS-1007-01	PIVOT BLOCK	1
8	SCALE OPTIONS:		1
	APS-1014-R	4.6 GPM FL. SECTION	
	APS-1014-GEL-R	2.4 GPM FL. SECTION	
9	APS-1016	CLEVIS PIN	1
10	APS-1010	LEAD SCREW	1
11	APS-1018	SHOULDER BOLT	2
12	APS-1009	ADJUSTER BLOCK	1
13	F-LN-05C	HEX NUT	2
14	APS-1008	END PIECE	1
15	APS-1006	ROD END	2
16	F-HN-06F	HEX NUT	2
17	APS-1005	SPACER ROD	1
18	DUAL-2012	ADJUSTMENT KNOB	1
19	F-SS-05C-06	SET SCREW	1
20	APS-1019	SHOULDER BOLT	1
21	APS-1004	BOTTOM MOUNT	1
22	APS-1020	NUT	1
23	APS-1001-R	OUTER ARM	1
24	APS-1002-01-R	INNER ARM	1
25	F-CS-06C-16-NY	CAP SCREW	7
26	APS-1003-01-R	RETAINER BLOCK	1
27	APS-1017	DOWEL PIN	1
28	F-HB-04C-32	HEX BOLT	1
29	APS-1011	BRACE	1
30	F-SW-04	SPLIT WASHER	5
31	F-HN-04C	HEX NUT	1
32	F-SW-05	SPLIT WASHER	1
33	F-HB-05C-12	HEX BOLT	1
34	F-HB-04C-16-GR5	HEX BOLT	4
35	PINCH-POINT-LBL-APS	LABEL	1
36	APS-1029	POINTER	1