

MAGNUM VENUS PRODUCTS

SV Chopper Unit

1100-2-1

REV G = REMOVED 7203-5-12 SPRING PIN
 REV H = CHNGD POWER HEAD AND ADDED CATALYST MANIFOLD 3/14/03 JEM

SV Chopper Unit 1100-2-1

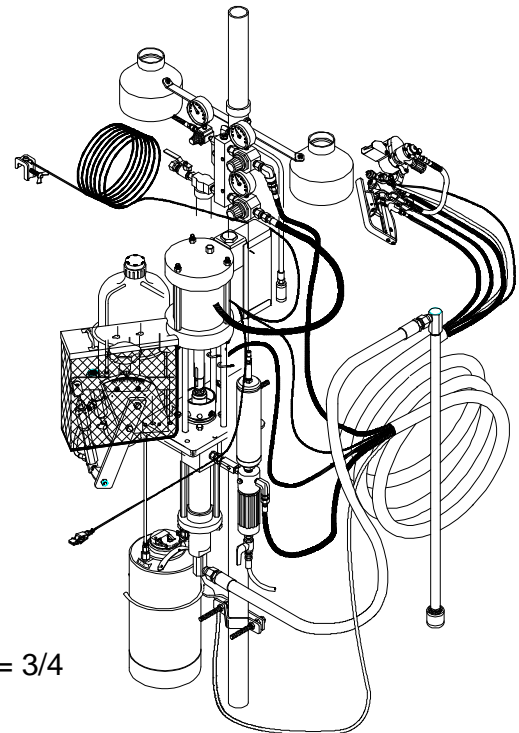
PARTS LIST

ITEM	PART NO.	QTY	DESCRIPTION
1	1105-01-01	1	MOUNTING COLUMN ASSY
2	VP-41000	1	COMPLETE PUMP COMBINATION
3	VHPC-1000-CJ	1	CATALYST PUMP ASSY
4	3101-02-01	1	DRUM SUCTION WAND ASSY
5	3103-01-01	1	RESIN FILTER ASSY
6	3104-01-01	1	SURGE CHAMBER ASSY
7	1106-06-01	2	SCREW ON ROVING GUIDE ASSEMBLY
8	7201-6-4	3	HEX NUT
9	CJ-2000-4-RS	1	CATALYST JUG ASSY
10	5101-03-02	1	SV SUPERPRO II GUN W/O CHOPPER
11	6302-03-01	1	SV CHOPPER MANIFOLD ASSY
12	6501-02-030	1	30' SV CHOPPER HOSE SET
13	6101-01-01	1	3 GAL FLUSH TANK ASSY
14	2101-01-01	1	GUARD ASSY
15	6702-04-01	1	CHOPPER UNIT 1100S1 INSTALLATION KIT
16	CM-4000-SS	1	CATALYST MANIFOLD ASSY
17	7701-1-26	1	HEX BOLT
18	4103-00-01	1	SD1S1 SLIDE DRIVE ASSY
19	4103-12-01	1	CAT JUG BRKT WELD
20	4103-9-1	1	RESIN RATIO INDICATOR PLATE
21	5103-01-01	1	ROVING CUTTER ASSY
22	1105-3-1	1	COLUMN CLAMP
23	1105-7-1	1	CATALYST MANIFOLD BTACKET
24	7101-1-20	2	HEX CAP SCREW

OPTIONAL PARTS AND ASSEMBLIES

ITEM	PART NO.	QTY	DESCRIPTION
25	VPH-4250	1	POWER CYLINDER ASSY
26	3101-00-01	1	FLUID SECTION ASSY
27	1105-02-01	1	PUMP MOUNT PLATE ASSY
28	6701-01-EN	1	S1 CHOPPER UNIT DECAL PACKAGE

FIGURE 1-1



SCALE = 3/4